

PP700 – Controller Accessories

All Gardasoft controllers can be DIN rail mounted using the products below.

PP701 – DIN Rail Mounting Kit for PP520

Check the user manual for heatsinking requirements. Some high power applications require the PP520 to be panel mounted.

Pack Contents

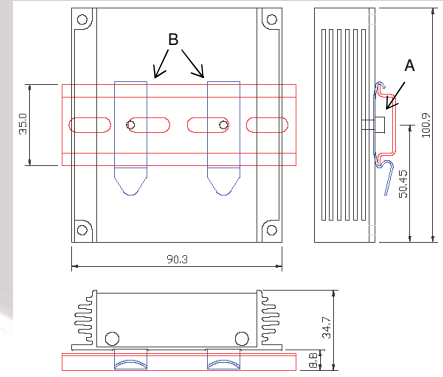
Description	Drawing Ref	Quantity
Mounting Bracket	B	2
M4x6mm Socket screw	A	2

Dimensional Information

The illustration here shows a PP520 mounted on a standard 'top hat' (35mm x 7.5mm) symmetric DIN rail.

Installation

- Each metal mounting bracket 'B' is fixed to the unit using an M4x6mm socket cap screw 'A', as shown



PP703 – DIN Rail Mounting Kit for CC320

Pack Contents

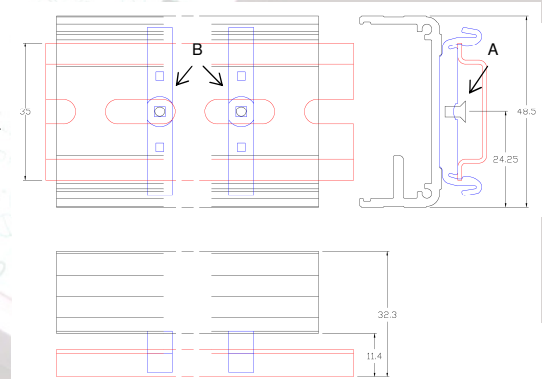
Description	Drawing Ref	Quantity
Mounting Bracket	B	2
M3x5mm Countersunk screw	A	2

Dimensional Information

The illustration here shows a CC320 mounted on a standard 'top hat' (35mm x 7.5mm) symmetric DIN rail.

Installation

- Each plastic mounting bracket 'B' is fixed to the unit using an M3x5mm countersunk screw 'A', as shown

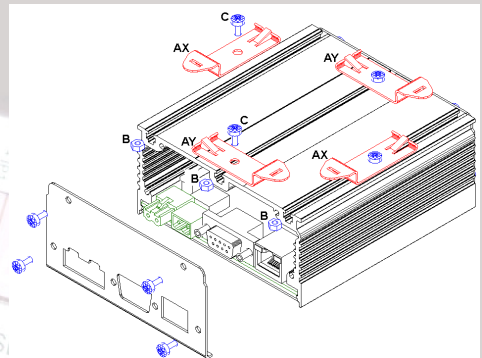


PP706 – DIN Rail Mounting Kit for RT Range Controllers

Pack Contents

Description	Drawing Ref	Quantity
Mounting Clip	A	2
M3 Nut	B	2
M3x6mm screw	C	2

- Select the orientation required, a pair of metal clips is used for each (AX or AY).
- Slide nuts (B) into the appropriate slots by means of the cut-outs in one of the end panels.
- Screws (C) are passed through mounting clips (A) and into slot nuts (B).
- Position the loose assemblies as required and tighten the screws.
- Each mounting bracket 'A' is fixed to the unit using an M3x6mm countersunk screw 'A', as shown



All DIN Rail on this selection sheet meets current BS, DIN, AND CENELEC Standards

PP712 12V Lighting Adapter

2-pin connector for Japanese lighting (35mm)

PP713 24V Lighting Adapter

3-pin connector for Japanese lighting (35mm)



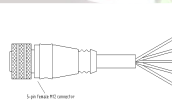
PP715 Adapter cable

5 pin M12 male, Insight/Dataman to Gardasoft controller (2.0M)



PP716 Adapter cable

5 pin M12 female, Gardasoft controller to lighting (75mm)



Trinity Court, Swavesey
Cambridge, CB24 4UQ, UK
Tel: +44 1954 234970
Fax: +44 1954 231567
Web: www.gardasoft.com

© 2013 Gardasoft Vision Ltd
All trademarks acknowledged.