



Standard Features:

- Diffused Illumination of Reflective Targets
- Factory Hardened, Industrial Rugged Construction
- High Intensity White Light
- Selection from a Variety of Illuminators Including Quartz-Halogen & Strobes
- Cool Temperature Operation
- No Vibration or Noise Generation
- Clean Room Compatible
- Visible Band-Pass Filtering Capability for Color

DIFFUSED AXIAL ILLUMINATION

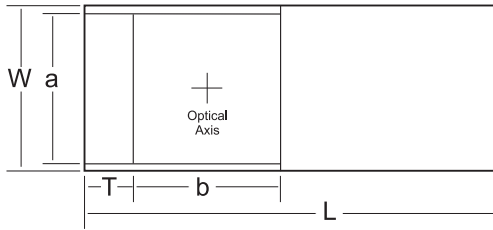
Model AI-2 & AI-4 Diffused On-Axis Illumination System

The AI-Series optical systems provide wide angle, on-axis, diffused illumination housed in factory hardened, industrial rugged packages. The AI-Series' unique design allows the camera to view the object perpendicularly through the unit. As a result, highly reflective objects with uneven surfaces can reflect light to the camera from every point on their surface, eliminating glints and shadows. The AI-Series optical systems provide more uniform, diffused illumination than most lighting methods.

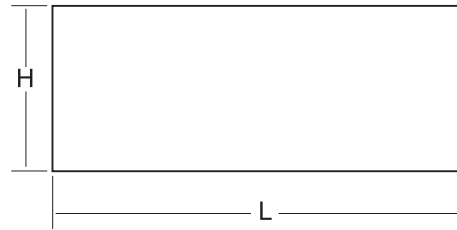
Model & P/N	Description
AI-2 001430010000	Diffusing illumination system w/ 2"x2" viewing window
B448 002112007048	48" light guide for use w/ AI-2 System
B448M 002112424048	48" light guide for use w/ AI-2 System, direct-fit for MI-150 and B-Nose illuminators
AI-4 001430020000	Diffusing illumination system w/ 4"x4" viewing window
MBR3548 002140010048	48" quad multi-branch randomized light guide for use w/ AI-4 System
MBR3548M 002140020048	48" quad multi-branch randomized light guide for use w/ AI-4 System direct-fit for MI-150 and B-Nose illuminators

AI-2 & AI-4 Dimensions:

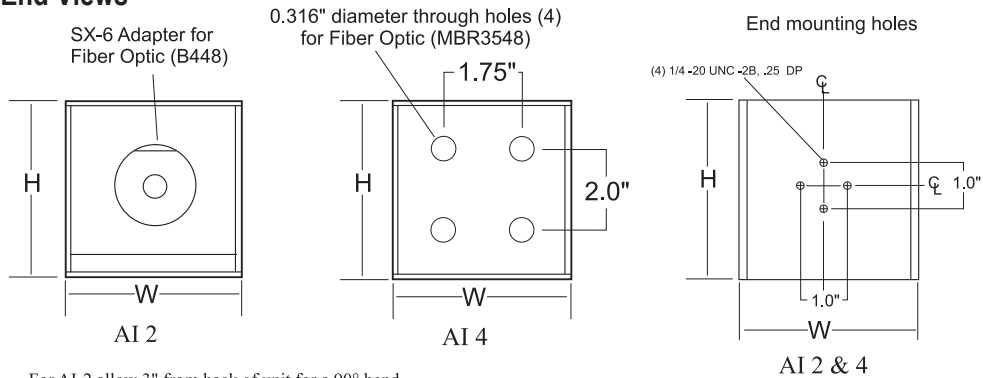
Top View



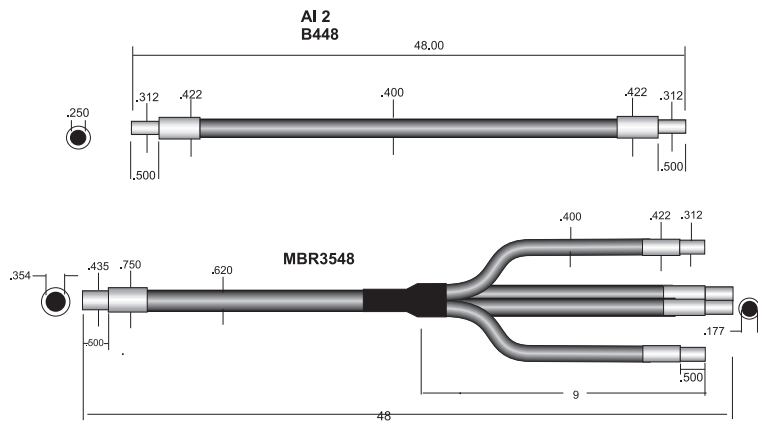
Side View



End Views



- For AI-2 allow 3" from back of unit for a 90° bend. The fiber has a minimum bend radius of 1.5" and the bend should not be attempted for the first .75" after the termination
- For AI-4 allow 3.5" from back of unit for a 90° bend



Dimensions

Model	a	b	L	W	H	T
AI-2	2.0"	1.75"	5.75"	2.25"	2.0"	.38"
AI-4	4.0"	3.7"	9.0"	4.25"	4.0"	.38"

Dolan-Jenner

industries

Dolan-Jenner Industries
159 Swanson Rd.
Dorchester, MA 01710 USA

Phone: 800.833.4237
Fax: 978.264.0292
Email: support@dolan-jenner.com

Vision Light Tech B.V.

Protonenlaan 22, 5405 NE UDEN, P.O. Box 345, 5400 AH UDEN, The Netherlands

Phone: +31 (0)413 26 00 67, Fax +31 (0)413 26 09 38, E-mail: inquiry@vlt.nl, Website: www.vlt.nl

Trade register No. 17150044, VAT No. NL8112.30.946.B01