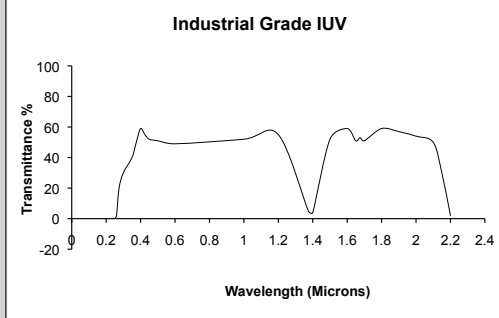
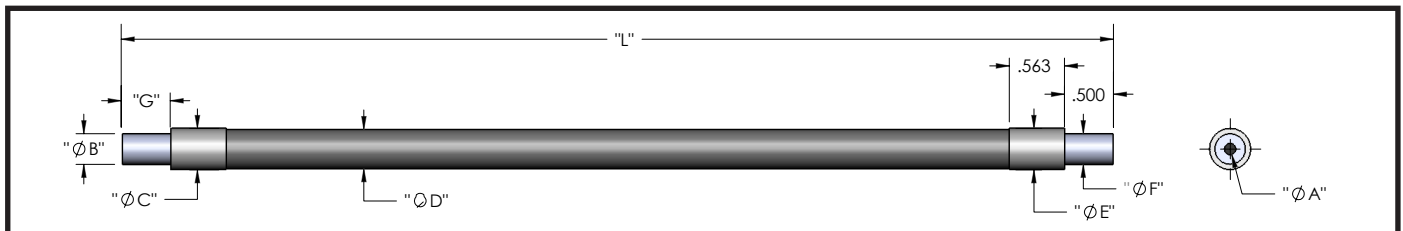


Industrial Grade IUV - Silica core/PCS clad

Spectral Curve	Specifications	
 <p>Industrial Grade IUV</p> <p>Transmittance %</p> <p>Wavelength (Microns)</p>	Individual Fiber Diameter	0.010" (0.25 mm)
	Acceptance Cone	35.0°
	Numerical Aperture	.30
	Fiber Material	Core: Fused Silica Cladding: Siloxane Polymer
	Temperature capabilities	-40°F to 372°F (-40°C to 175°C)
	Spectral Transmittance	260nm-2200nm (.26-2.2 microns)
	Minimum Bend Radius	1 ½" for 1/8" and 1/16" bundle diameter / 3" for ¼" bundle dia.
	Maximum Breakage	10%



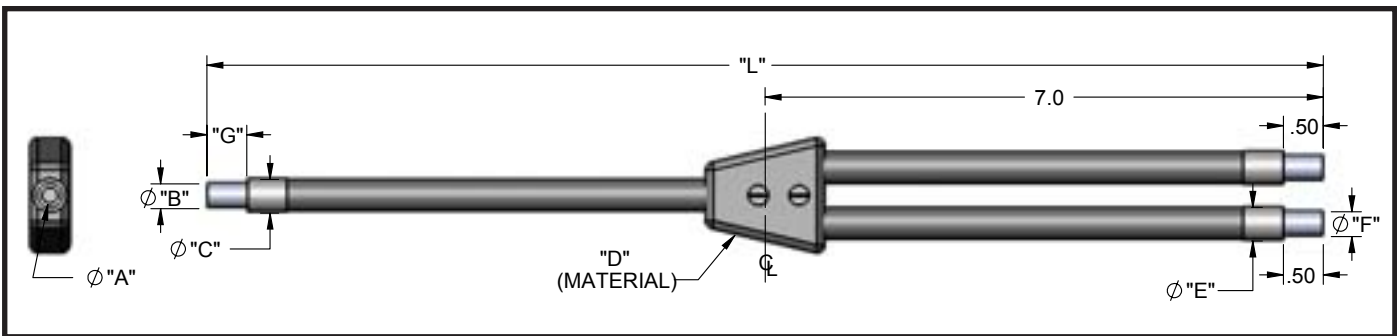
BIUV - Standard End Ferrule, PVC Monocoil Sheathing, Rated for -40°F to 221°F

Model	Part #	A	B	C	D	E	F	G	L
BIUV624	002012006024	.062" (1.59mm)	.187" (4.75mm)	.205" (5.2mm)	.190" (4.8mm)	.205" (5.2mm)	.187" (4.75mm)	.50" (12.7mm)	24" (609.60 mm)
BIUV636	002012006036								36" (914.40 mm)
BIUV660	002012006060								60" (1524.0 mm)
BIUV808	002012008008	.125" (3.18mm)	.187" (4.75mm)	.312" (7.92mm)	.268" (6.81mm)	.312" (7.92mm)	.187" (4.75mm)	.50" (12.7mm)	08" (203.2 mm)
BIUV824	002012008024								24" (609.6 mm)
BIUV836	002012008036								36" (914.40 mm)
BIUV848	002012008048								48" (1219.2 mm)
BIUV860	002012008060								60" (1524.0 mm)
BIUV872	002012008072								72" (1828.8 mm)
BIUV403	002012004003	.250" (6.35mm)	.312" (7.92mm)	.468" (11.9mm)	.430" (10.9mm)	.468" (11.9mm)	.312" (7.92mm)	.50" (12.7mm)	03" (76.20 mm)
BIUV424	002012004024								24" (609.60 mm)
BIUV430	002012004030								30" (762.00 mm)
BIUV436	002012004036								36" (914.40 mm)
BIUV448	002012004048								48" (1219.2 mm)
BIUV460	002012004060								60" (1524.0 mm)
BIUV472	002012004072								72" (1828.8 mm)
BIUV479	002012004079								79" (2006.6 mm)
BIUV4120	002012004120								120" (3048 mm)



BXIUV - Standard End Ferrule, Stainless Steel Sheathing, Rated for -40°F to 347°F

Model	Part #	A	B	C	D	E	F	G	L
BXIUV6120	002014006120	.062" (1.59mm)	.187" (4.75mm)	.286" (7.23mm)	.203" (5.15 mm)	.286" (7.23mm)	.187" (4.75mm)	.50" (12.7mm)	24" (609.60 mm) 36" (914.40 mm)
BXIUV824	002014008024	.125" (3.18mm)	.187" (4.75mm)	.375" (9.52mm)	.345" (8.76mm)	.375" (9.52mm)	.187" (4.75mm)	.50" (12.7mm)	24" (609.60 mm)
BXIUV836	002014008036								36" (914.40 mm)
BXIUV860	002014008060								60" (1524.0 mm)
BXIUV884	002014008084								84" (2133.6 mm)
BXIUV424	002014004036	.250" (6.35mm)	.312" (7.92mm)	.615" (15.6mm)	.560" (14.22mm)	.615" (15.6mm)	.312" (7.92mm)	.50" (12.7mm)	24" (609.60 mm)
BXIUV436	002014004036								36" (914.40 mm)
BXIUV448	002014004048								48" (1219.2 mm)
BXIUV460	002014004060								60" (1524.0 mm)



EIUUV - Standard End Ferrule, PVC Monocoil Sheathing, Rated for -40°F to 221°F

Model	Part #	A	B	C	D	E	F	G	L
EIUUV624	002022006024	.062" (1.59mm)	.187" (4.75mm)	.253" (6.42mm)	PVC Heat Shrink	.205" (5.2mm)	.187" (4.75mm)	.50" (12.7mm)	24" (609.60 mm) 36" (914.40 mm)
EIUUV636	002022006036	.125" (3.18mm)	.187" (4.75mm)	.312" (7.92mm)	PVC Heat Shrink	.253" (6.42mm)	.187" (4.75mm)	.50" (12.7mm)	24" (609.60 mm)
EIUUV824	002022008024								36" (914.40 mm)
EIUUV424	002022004024								48" (1219.2 mm)
EIUUV436	002022004036	.250" (6.35mm)	.312" (7.92mm)	.468" (11.9mm)	PVC Heat Shrink	.422" (10.7mm)	.312" (7.92mm)	.50" (12.7mm)	24" (609.60 mm)
EIUUV448	002022004048								36" (914.40 mm) 48" (1219.2 mm)

Vision Light Tech B.V.

Protonenlaan 22, 5405 NE UDEN, P.O. Box 345, 5400 AH UDEN, The Netherlands

Phone: +31 (0)413 26 00 67, Fax +31 (0)413 26 09 38, E-mail: inquiry@vlt.nl, Website: www.vlt.nl

Trade register No. 17150044, VAT No. NL8112.30.946.B01