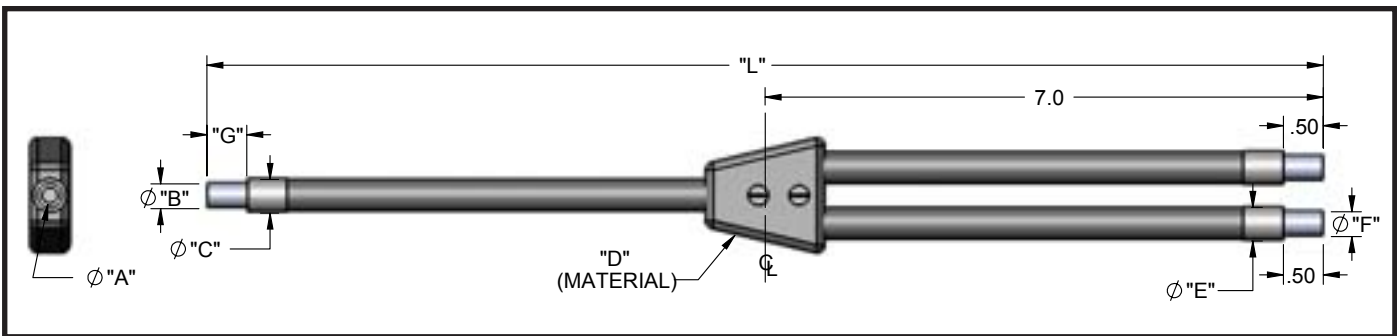






### BXIUV - Standard End Ferrule, Stainless Steel Sheathing, Rated for -40°F to 347°F

Model	Part #	A	B	C	D	E	F	G	L
BXIUUV6120	002014006120	.062" (1.59mm)	.187" (4.75mm)	.286" (7.23mm)	.203" (5.15 mm)	.286" (7.23mm)	.187" (4.75mm)	.50" (12.7mm)	24" (609.60 mm) 36" (914.40 mm)
BXIUUV824	002014008024	.125" (3.18mm)	.187" (4.75mm)	.375" (9.52mm)	.345" (8.76mm)	.375" (9.52mm)	.187" (4.75mm)	.50" (12.7mm)	24" (609.60 mm)
BXIUUV836	002014008036								36" (914.40 mm)
BXIUUV860	002014008060								60" (1524.0 mm)
BXIUUV884	002014008084								84" (2133.6 mm)
BXIUUV424	002014004036	.250" (6.35mm)	.312" (7.92mm)	.615" (15.6mm)	.560" (14.22mm)	.615" (15.6mm)	.312" (7.92mm)	.50" (12.7mm)	24" (609.60 mm)
BXIUUV436	002014004036								36" (914.40 mm)
BXIUUV448	002014004048								48" (1219.2 mm)
BXIUUV460	002014004060								60" (1524.0 mm)



### EIUUV - Standard End Ferrule, PVC Monocoil Sheathing, Rated for -40°F to 221°F

Model	Part #	A	B	C	D	E	F	G	L
EIUUV624	002022006024	.062" (1.59mm)	.187" (4.75mm)	.253" (6.42mm)	PVC Heat Shrink	.205" (5.2mm)	.187" (4.75mm)	.50" (12.7mm)	24" (609.60 mm) 36" (914.40 mm)
EIUUV636	002022006036	.125" (3.18mm)	.187" (4.75mm)	.312" (7.92mm)	PVC Heat Shrink	.253" (6.42mm)	.187" (4.75mm)	.50" (12.7mm)	24" (609.60 mm)
EIUUV824	002022008024								36" (914.40 mm)
EIUUV424	002022004024								48" (1219.2 mm)
EIUUV436	002022004036	.250" (6.35mm)	.312" (7.92mm)	.468" (11.9mm)	PVC Heat Shrink	.422" (10.7mm)	.312" (7.92mm)	.50" (12.7mm)	24" (609.60 mm)
EIUUV448	002022004048								36" (914.40 mm)
									48" (1219.2 mm)

#### Vision Light Tech B.V.

Protonenlaan 22, 5405 NE UDEN, P.O. Box 345, 5400 AH UDEN, The Netherlands

Phone: +31 (0)413 26 00 67, Fax +31 (0)413 26 09 38, E-mail: inquiry@vlt.nl, Website: www.vlt.nl

Trade register No. 17150044, VAT No. NL8112.30.946.B01