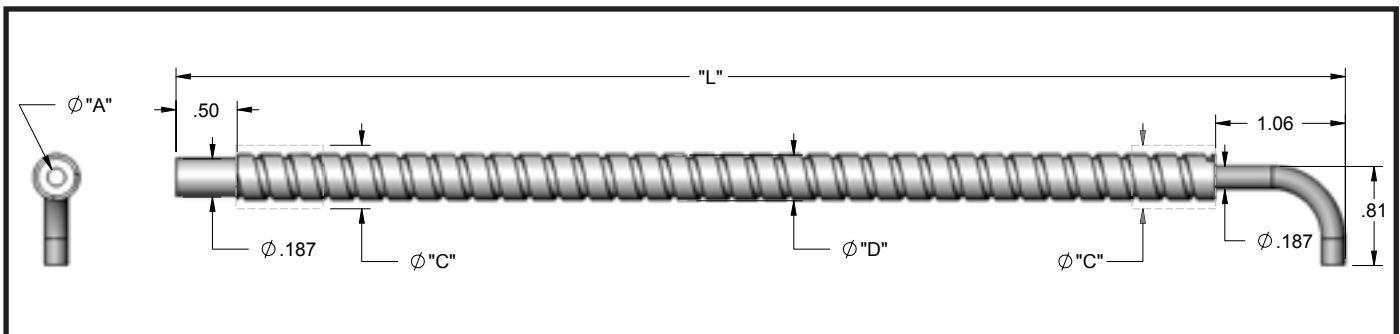


BL - Standard End Ferrule, PVC Monocoil Sheathing, Rated for -40°F to 225°F

| Model | Part # | A | C | D | L |
|--------|--------------|-----------|-----------|-----------|------------------|
| BL612 | 002112206012 | | | | 12" (304.80 mm) |
| BL620 | 002112206020 | | | | 20" (508.00 mm) |
| BL624 | 002112206024 | .063" | .250" | .230" | 24" (609.60 mm) |
| BL636 | 002112206036 | (1.60 mm) | (6.35 mm) | (5.84 mm) | 36" (914.40 mm) |
| BL648 | 002112206048 | | | | 48" (1219.20 mm) |
| BL672 | 002112206072 | | | | 72" (1828.80 mm) |
| BL824 | 002112208024 | .125" | .250" | .230" | 24" (609.60 mm) |
| | | (3.18 mm) | (6.35 mm) | (5.84 mm) | |
| BL524 | SK95260024 | .156" | .312" | .268" | 24" (609.60 mm) |
| BL536 | SK95260036 | (3.96 mm) | (7.92 mm) | (6.81 mm) | 36" (914.40 mm) |
| BL5120 | SK95260120 | | | | 120" (3048.0mm) |



BXL - Standard End Ferrule, Stainless Steel Sheathing, Rated for -40°F to 500°F

| Model | Part # | A | C | D | L |
|---------|--------------|-----------|---|-----------|-------------------|
| BXL636 | 002114206036 | .063" | — | .244" | 36" (914.40 mm) |
| BXL648 | 002114206048 | (1.60 mm) | | (6.20 mm) | 48" (1219.20 mm) |
| BXL672 | 002114206072 | | | | 72" (1828.80 mm) |
| BXL824 | 002114208024 | | | | 24" (609.60 mm) |
| BXL836 | 002114208036 | | | | 36" (914.40 mm) |
| BXL848 | 002114208048 | | | | 48" (1219.20 mm) |
| BXL860 | 002114208060 | | | | 60" (1524.00 mm) |
| BXL872 | 002114208072 | .125" | — | .244" | 72" (1828.80 mm) |
| BXL884 | 002114208084 | (3.18 mm) | | (6.20 mm) | 84" (2133.60 mm) |
| BXL896 | 002114208096 | | | | 96" (2438.40 mm) |
| BXL8120 | 002114208120 | | | | 120" (3048.01 mm) |
| BXL8144 | 002114208144 | | | | 144" (3657.61 mm) |
| BXL8240 | 002114208240 | | | | 240" (6096.01 mm) |
| BXL536 | 002114205036 | .156" | — | .306" | 36" (914.40 mm) |
| BXL572 | 002114205072 | (3.96 mm) | | (7.77 mm) | 72" (1828.80 mm) |
| BXL584 | 002114205084 | | | | 84" (2133.60 mm) |



EL - Standard End Ferrule, PVC Monocoil Sheathing, Rated for -40°F to 221°F

| Model | Part # | A | B | C | D | E | F | L |
|-------|--------------|-------------------|-------------------|-------------------|-------------------|-------------------|-------------------|------------------|
| EL624 | 002122206024 | | | | | | | 24" (609.60 mm) |
| EL636 | 002122206036 | | | | | | | 36" (914.40 mm) |
| EL648 | 002122206048 | | | | | | | 48" (1219.2 mm) |
| EL660 | 002122206060 | | | | | | | 60" (1524.0 mm) |
| EL672 | 002122206072 | | | | | | | 72" (1828.80 mm) |
| EL824 | 002122208024 | | | | | | | 24" (609.60 mm) |
| EL836 | 002122208036 | | | | | | | 36" (914.40 mm) |
| EL848 | 002122208048 | .125 (3.18 mm) | .187 (4.75 mm) | 7.00 (17.78mm) | PVC Heatshrink | .207 (5.26 mm) | .187 (4.75 mm) | 48" (1219.2 mm) |
| EL860 | 002122208060 | | | | | | | 60" (1524.0 mm) |
| EL872 | 002122208072 | | | | | | | 72" (1828.80 mm) |



EXL - Standard End Ferrule, PVC Monocoil Sheathing, Rated for -40°F to 221°F

| Model | Part # | A | B | C | D | E | F | L |
|--------|--------------|-------------------|-------------------|-------------------|-------|---|-------------------|------------------|
| EXL624 | 002124206024 | | | | | | | 24" (609.60 mm) |
| EXL636 | 002124206036 | | | | | | | 36" (914.40 mm) |
| EXL660 | 002124206060 | | | | | | | 60" (1524.0 mm) |
| EXL672 | 002124206072 | | | | | | | 72" (1828.80 mm) |
| EXL824 | 002124208024 | | | | | | | 24" (609.60 mm) |
| EXL836 | 002124208036 | | | | | | | 36" (914.40 mm) |
| EXL848 | 002124208048 | .125 (3.18 mm) | .187 (4.75 mm) | 7.00 (17.78mm) | Metal | - | .187 (4.75 mm) | 48" (1219.2 mm) |
| EXL860 | 002124208060 | | | | | | | 60" (1524.0 mm) |
| EXL872 | 002124208072 | | | | | | | 72" (1828.80 mm) |

Vision Light Tech B.V.

Protonenlaan 22, 5405 NE UDEN, P.O. Box 345, 5400 AH UDEN, The Netherlands

Phone: +31 (0)413 26 00 67, Fax +31 (0)413 26 09 38, E-mail: inquiry@vlt.nl, Website: www.vlt.nl

Trade register No. 17150044, VAT No. NL8112.30.946.B01