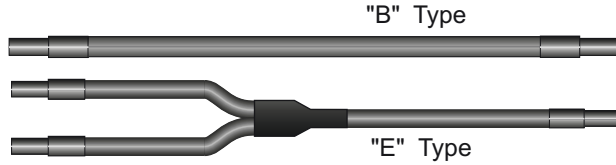


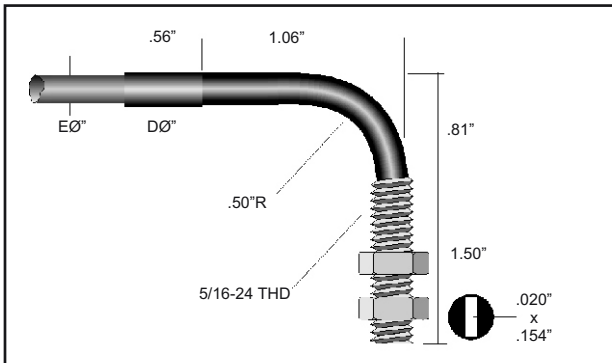
PVC Monocoil Sheathing

"B/E" Type with PVC Covered Monocoil Sheathing

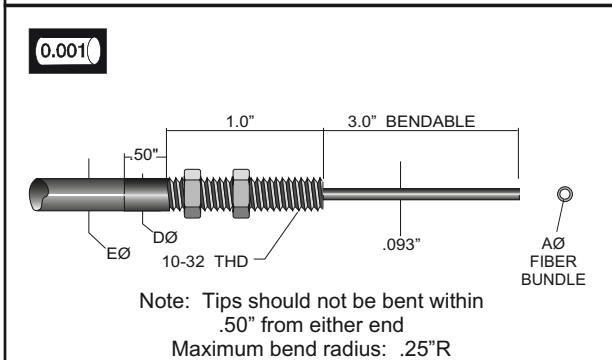
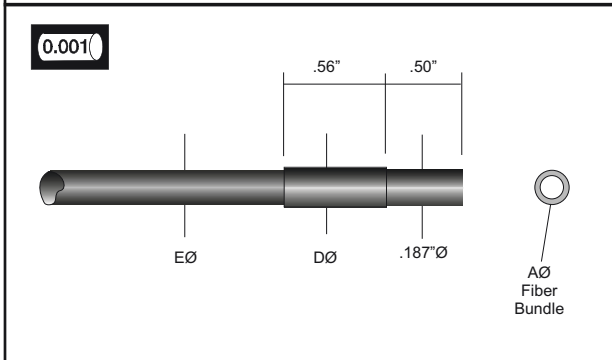
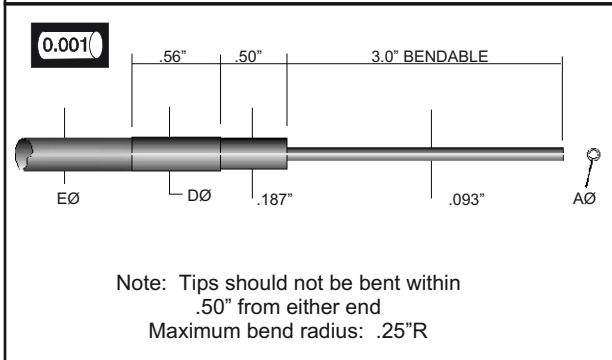
Temperature Rating: -40° to 225°F
Fiber Size: 0.002Ø (0.0015 0.001Ø)
N.A.: 0.55
Acceptance Cone: 68°*
Spectral Response: 400nm to 2.0 microns
Proximal Tip: See page 3 or 4 for specifications



DISTAL TIP DESIGN



SPECIFICATIONS



| SALES CODE | AØ | DØ | EØ | OAL |
|------------|-------------------------|--------|--------|-----|
| *LFT624 | .020"x.154" (.063"Ø) | 0.250" | 0.230" | 24" |
| _LFT636 | | | | 36" |
| _LFT672 | | | | 72" |
| | | | | 24" |
| | | | | 36" |
| | | | | 72" |
| | | | | 24" |
| | | | | 36" |
| | | | | 72" |
| SALES CODE | AØ | DØ | EØ | OAL |
| _SB624 | .063" | 0.250" | 0.190" | 24 |
| _SB636 | | | | 36 |
| _SB672 | | | | 72 |
| | | | | 24 |
| | | | | 36 |
| | | | | 72 |
| SALES CODE | AØ | DØ | EØ | OAL |
| _2724 | 0.032" | 0.207" | 0.190" | 24" |
| _2736 | | | | 36" |
| _2772 | | | | 72" |
| _0424 | 0.041" | 0.207" | 0.190" | 24" |
| _0436 | | | | 36" |
| _0472 | | | | 72" |
| _6324 | 0.063" | 0.207" | 0.190" | 24" |
| _6336 | | | | 36" |
| _6372 | | | | 72" |
| SALES CODE | AØ | DØ | EØ | OAL |
| _TSB2724 | 0.032" | 0.250" | 0.190" | 24" |
| _TSB2736 | | | | 36" |
| _TSB2772 | | | | 72" |
| _TSB4124 | 0.041" | 0.250" | 0.190" | 24" |
| _TSB4136 | | | | 36" |
| _TSB4172 | | | | 72" |
| _TSB6324 | 0.063" | 0.250" | 0.190" | 24" |
| _TSB6336 | | | | 36" |
| _TSB6372 | | | | 72" |

*NOTE: Add "B" for Thru-Beam (single leg), "E" for Reflective (dual leg)
 **Add "P" for heat shrink transition instead of metal