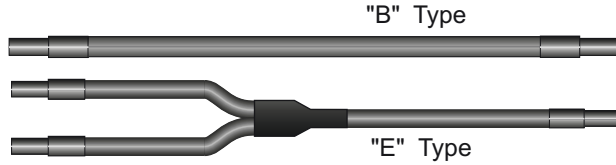


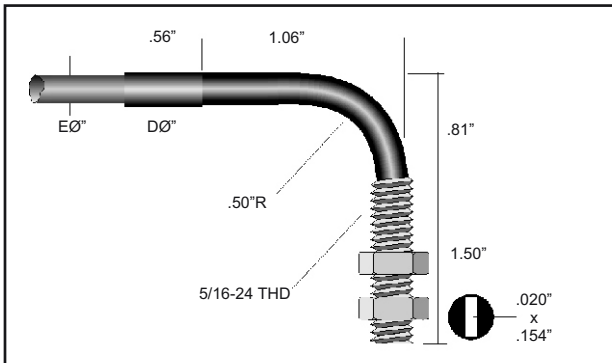
PVC Monocoil Sheathing

"B/E" Type with PVC Covered Monocoil Sheathing

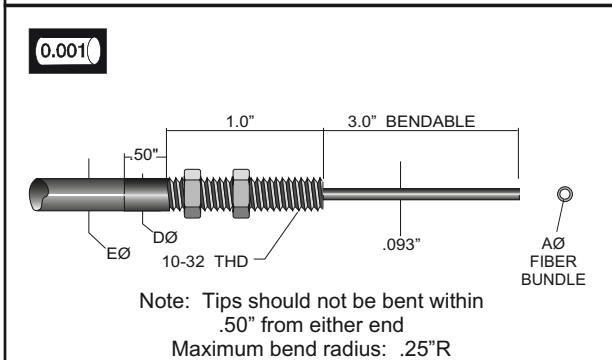
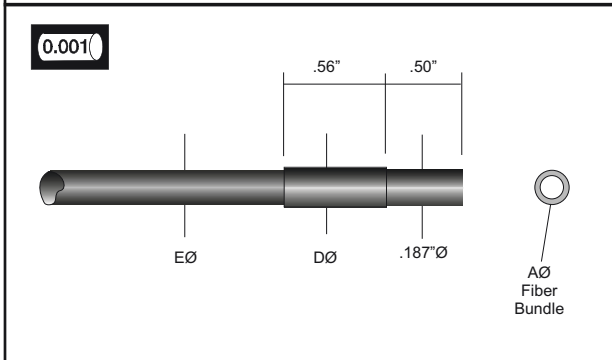
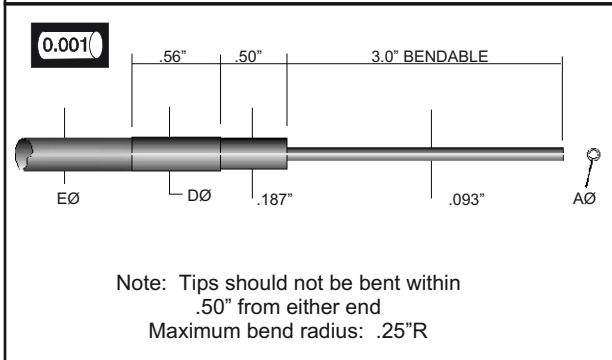
Temperature Rating: -40° to 225°F
Fiber Size: 0.002Ø (0.0015 0.001Ø)
N.A.: 0.55
Acceptance Cone: 68°*
Spectral Response: 400nm to 2.0 microns
Proximal Tip: See page 3 or 4 for specifications



DISTAL TIP DESIGN



SPECIFICATIONS



SALES CODE	AØ	DØ	EØ	OAL
*LFT624	.020"x.154" (.063"Ø)	0.250"	0.230"	24"
_LFT636				36"
_LFT672				72"
				24"
				36"
				72"
				24"
				36"
				72"
SALES CODE	AØ	DØ	EØ	OAL
_SB624	.063"	0.250"	0.190"	24
_SB636				36
_SB672				72
				24
				36
				72
SALES CODE	AØ	DØ	EØ	OAL
_2724	0.032"	0.207"	0.190"	24"
_2736				36"
_2772				72"
_0424	0.041"	0.207"	0.190"	24"
_0436				36"
_0472				72"
_6324	0.063"	0.207"	0.190"	24"
_6336				36"
_6372				72"
SALES CODE	AØ	DØ	EØ	OAL
_TSB2724	0.032"	0.250"	0.190"	24"
_TSB2736				36"
_TSB2772				72"
_TSB4124	0.041"	0.250"	0.190"	24"
_TSB4136				36"
_TSB4172				72"
_TSB6324	0.063"	0.250"	0.190"	24"
_TSB6336				36"
_TSB6372				72"

*NOTE: Add "B" for Thru-Beam (single leg), "E" for Reflective (dual leg)
 **Add "P" for heat shrink transition instead of metal