

Spot Light Dedicated CC-PJ-0707

Refer to our website for product details.

CCS CC-PJ-0707

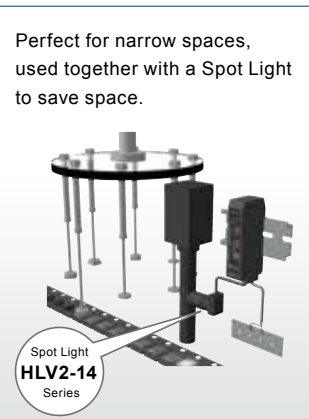
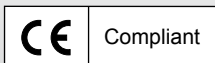
Search



You can also use your smartphone or cell phone.

Use a search engine.

A single unit compatible with continuous, ON/OFF and strobe lighting



* This is a conceptual image.

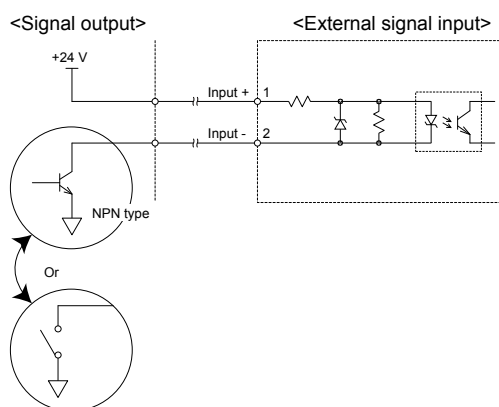
Characteristics

- Dedicated Control Units for the Spot Light HLV2 series. (Spot Light HLV2 series Product Page ▶ P. 111)
- Compact size makes them optimal for installation in narrow spaces and for saving space.
- Intensity value can be adjusted in 100 steps.
- Power supply is 24 VDC, optimal for on-site usage.

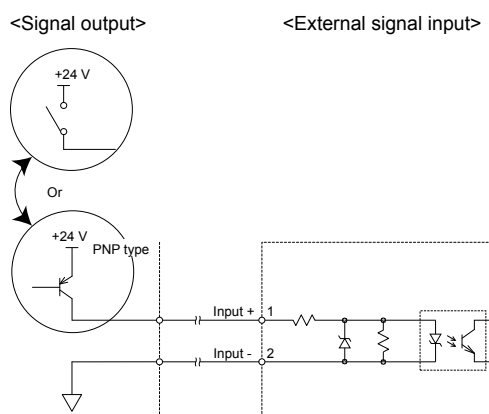
Example connections * Refer to the "Instruction Guide" for details.

External signal Example connections

Sink type



Source type



Becomes HIGH when 24 V is applied to input + and 0 V is applied to input - (applied voltage is 24 V±10%).
Apply a current using the open-collector circuit, high-speed photocoupler, semiconductor relay, and so on. (We recommend 10 mA or less.)
If using in an environment where noise is likely to occur, we recommend isolating the signal line and GND line from the drive device using a photocoupler or semiconductor relay.

We have various materials.

- PDF Drawings
- DXF Drawings
- 3D CAD
- Instruction Guides
- Product Files
- Imaging Samples
- Data Sheets
- Examples of Custom Ordered Products

Download here.
<http://www.ccs-grp.com/dl/>

Control Units

- PD3 series
- PD2 series
- STU-3000
- PSB series
- PTU2 series
- PB-2430-1
- CC-ST-1024
- BB series
- PJ series
- CC-PJ-0707
- PSCC series
- PSB3-30024
- Lens Filters
- Diffusion Plates
- Polarization Plates
- Light Control Films
- Brackets
- Other
- Extension Cables

Options

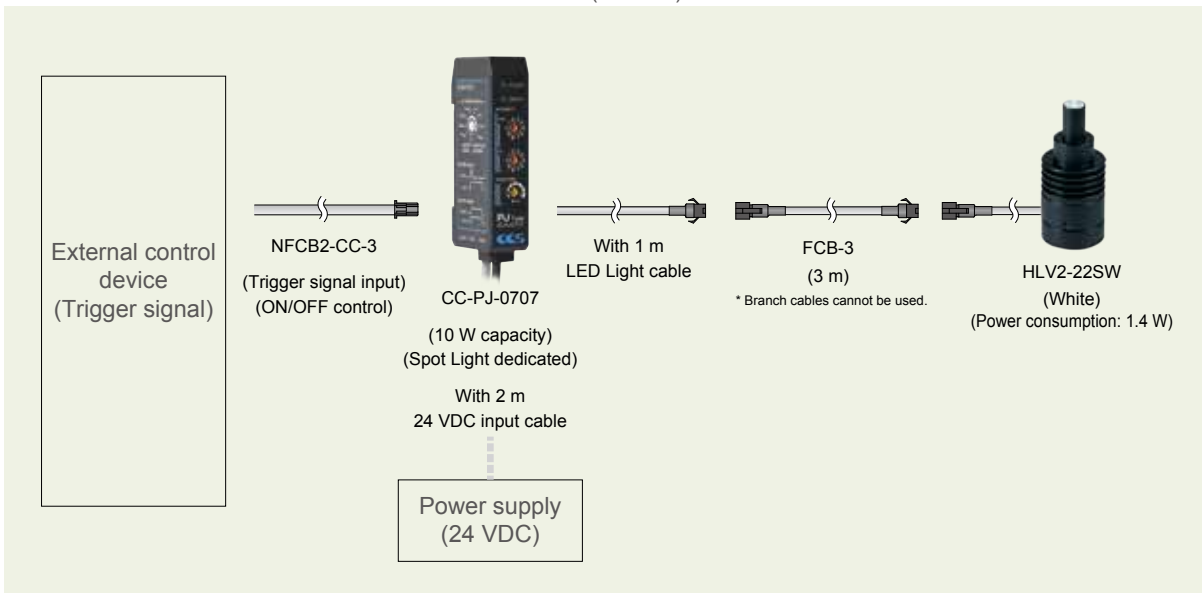
- PD3 series
- PD2 series
- STU-3000
- PSB series
- PTU2 series
- PB-2430-1
- CC-ST-1024
- BB series
- PJ series
- CC-PJ-0707
- PSCC series
- PSB3-30024
- Lens Filters
- Diffusion Plates
- Polarization Plates
- Light Control Films
- Brackets
- Other
- Extension Cables

Example system configuration

Example:

External control device — External control cable — Controller — Extension cables — LED Light (Spot Light)

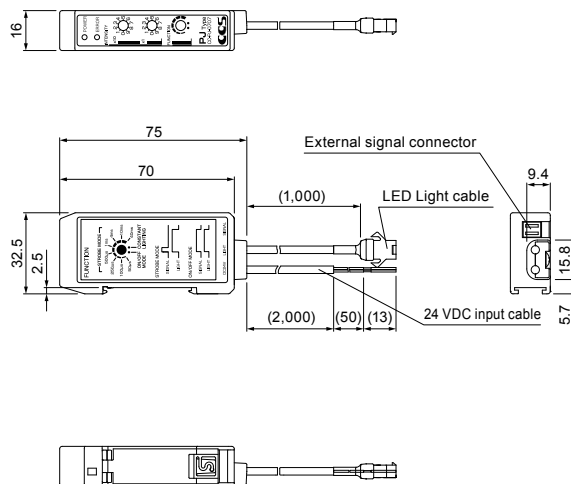
Power supply
(24 VDC)



Specifications

Model name	CC-PJ-0707
Drive method	Constant-current system
Intensity control method	Variable-current control method and lighting time control
Input overcurrent protection	Overcurrent protection is provided by fuse interruption.
Input voltage	24 VDC±10%
Power consumption (typ.)	7 W (with 3 W Spot Light during max. intensity drive)
Output voltage (max.)	7 VDC
Output current (rated)	700 mA
Operating environment (indoors only)	Temperature: 0 to 40°C, Humidity: 20% to 85%RH (with no condensation)
Storage environment	Temperature: -20 to 60°C, Humidity: 20% to 85%RH (with no condensation)
Vibration resistance	Acceleration: 19.6 m/sec ² , Frequency: 10 to 55 Hz, Cycle: 3 min., Sweep cycle: each hour in the X, Y, and Z directions
Impact resistance	Acceleration: 49.0 m/sec ² , Operation time: 30 m sec, Repetitions: three times for each of the six directions
Cooling method	Natural air cooling
CE marking	EMC standard: EN61000-6-2/6-4 compliant
Environmental regulations	RoHS compliant
Material	ABS
Weight	100 g
Accessories	Instruction Guide x 1, flat-head screwdriver x 1

Dimensions (mm)



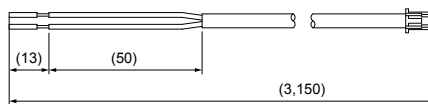
Options

External signal cable

NFCB2-CC-3 (3 m)



This cable is for use with external signals. It is used for intaking HIGH signals (during ON/OFF mode) and trigger signals (during strobe mode) into this product.



Dimensions (mm)



1: White (Input+)
2: Black (Input-)

Housing: PAP-02V-K (JST)
Contact: BPHD-002T-P0.5 (JST)