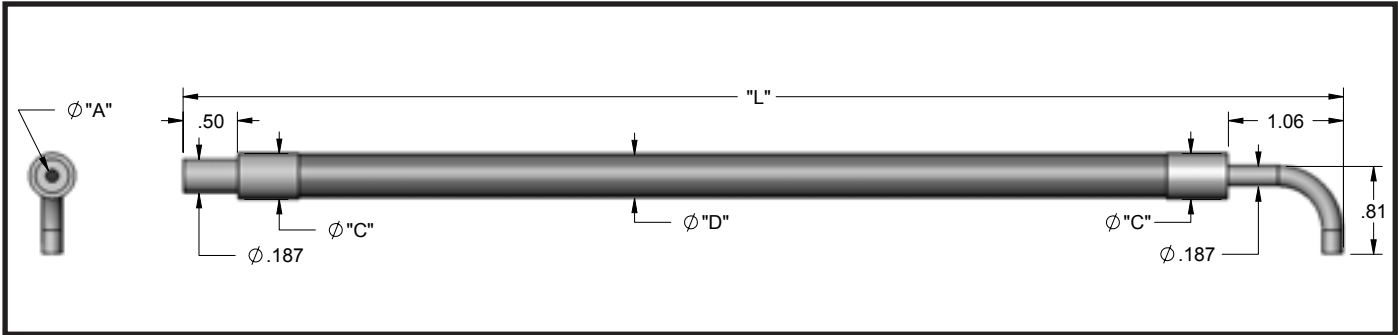


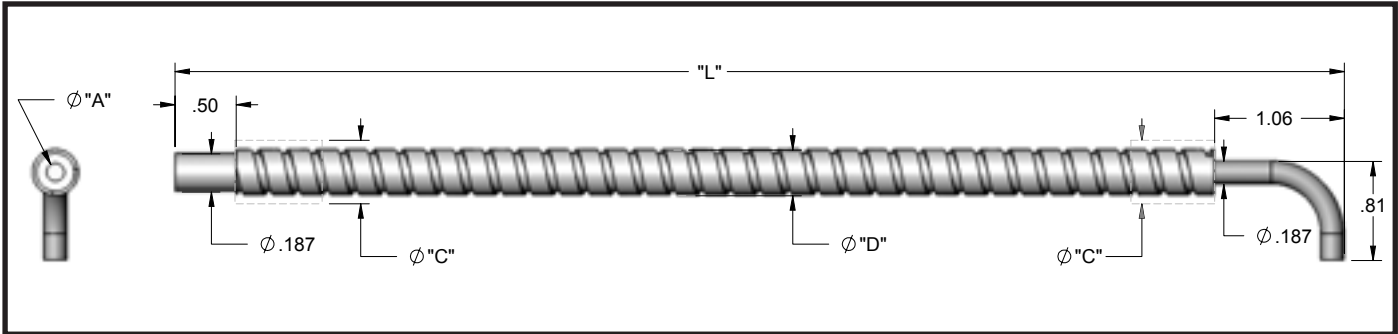


# BL & EL Series Light Guides



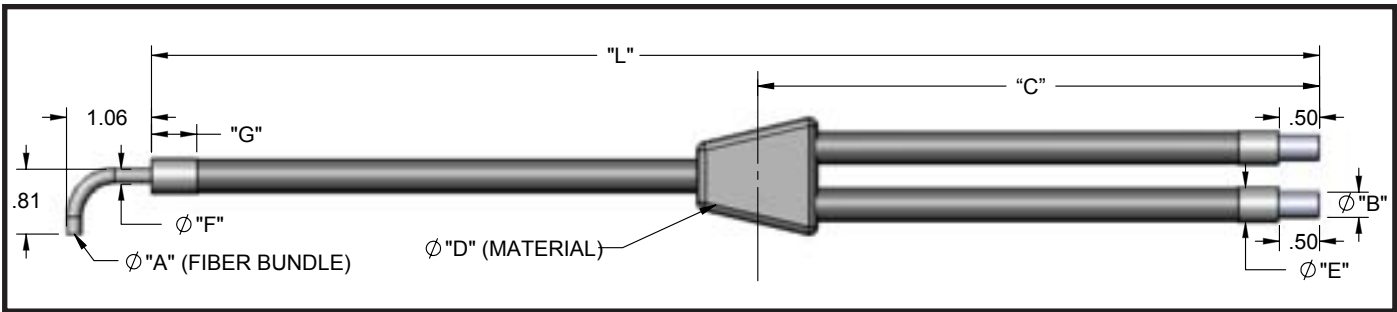
## BL - Standard End Ferrule, PVC Monocoil Sheathing, Rated for -40°F to 225°F

| Model  | Part #       | A         | C         | D         | L                |
|--------|--------------|-----------|-----------|-----------|------------------|
| BL612  | 002112206012 |           |           |           | 12" (304.80 mm)  |
| BL620  | 002112206020 |           |           |           | 20" (508.00 mm)  |
| BL624  | 002112206024 | .063"     | .250"     | .230"     | 24" (609.60 mm)  |
| BL636  | 002112206036 | (1.60 mm) | (6.35 mm) | (5.84 mm) | 36" (914.40 mm)  |
| BL648  | 002112206048 |           |           |           | 48" (1219.20 mm) |
| BL672  | 002112206072 |           |           |           | 72" (1828.80 mm) |
| BL824  | 002112208024 | .125"     | .250"     | .230"     | 24" (609.60 mm)  |
|        |              | (3.18 mm) | (6.35 mm) | (5.84 mm) |                  |
| BL524  | SK95260024   | .156"     | .312"     | .268"     | 24" (609.60 mm)  |
| BL536  | SK95260036   | (3.96 mm) | (7.92 mm) | (6.81 mm) | 36" (914.40 mm)  |
| BL5120 | SK95260120   |           |           |           | 120" (3048.0mm)  |



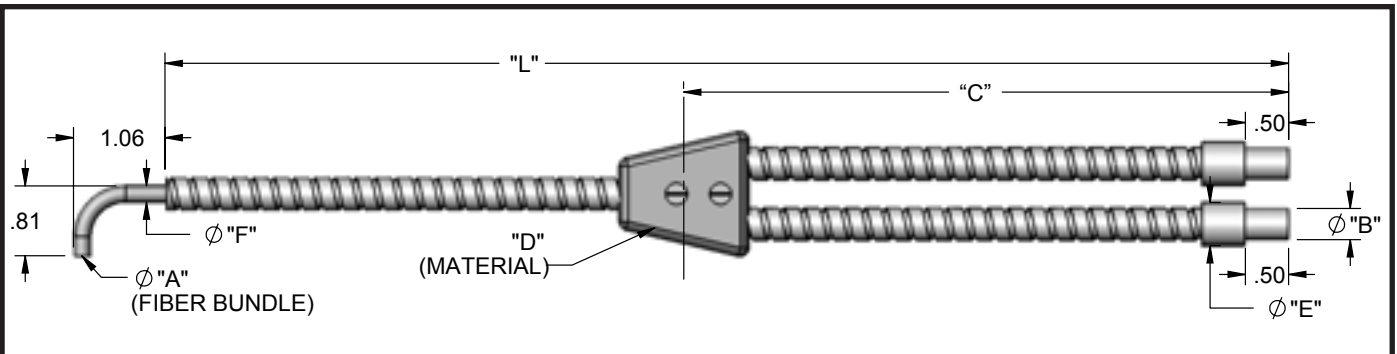
## BXL- Standard End Ferrule, Stainless Steel Sheathing, Rated for -40°F to 500°F

| Model   | Part #       | A         | C | D         | L                 |
|---------|--------------|-----------|---|-----------|-------------------|
| BXL636  | 002114206036 | .063"     | — | .244"     | 36" (914.40 mm)   |
| BXL648  | 002114206048 | (1.60 mm) |   | (6.20 mm) | 48" (1219.20 mm)  |
| BXL672  | 002114206072 |           |   |           | 72" (1828.80 mm)  |
| BXL824  | 002114208024 |           |   |           | 24" (609.60 mm)   |
| BXL836  | 002114208036 |           |   |           | 36" (914.40 mm)   |
| BXL848  | 002114208048 |           |   |           | 48" (1219.20 mm)  |
| BXL860  | 002114208060 |           |   |           | 60" (1524.00 mm)  |
| BXL872  | 002114208072 | .125"     | — | .244"     | 72" (1828.80 mm)  |
| BXL884  | 002114208084 | (3.18 mm) |   | (6.20 mm) | 84" (2133.60 mm)  |
| BXL896  | 002114208096 |           |   |           | 96" (2438.40 mm)  |
| BXL8120 | 002114208120 |           |   |           | 120" (3048.01 mm) |
| BXL8144 | 002114208144 |           |   |           | 144" (3657.61 mm) |
| BXL8240 | 002114208240 |           |   |           | 240" (6096.01 mm) |
| BXL536  | 002114205036 | .156"     | — | .306"     | 36" (914.40 mm)   |
| BXL572  | 002114205072 | (3.96 mm) |   | (7.77 mm) | 72" (1828.80 mm)  |
| BXL584  | 002114205084 |           |   |           | 84" (2133.60 mm)  |



### EL - Standard End Ferrule, PVC Monocoil Sheathing, Rated for -40°F to 221°F

| Model | Part #       | A                 | B                 | C                 | D                 | E                 | F                 | L                |
|-------|--------------|-------------------|-------------------|-------------------|-------------------|-------------------|-------------------|------------------|
| EL624 | 002122206024 |                   |                   |                   |                   |                   |                   | 24" (609.60 mm)  |
| EL636 | 002122206036 |                   |                   |                   |                   |                   |                   | 36" (914.40 mm)  |
| EL648 | 002122206048 |                   |                   |                   |                   |                   |                   | 48" (1219.2 mm)  |
| EL660 | 002122206060 |                   |                   |                   |                   |                   |                   | 60" (1524.0 mm)  |
| EL672 | 002122206072 |                   |                   |                   |                   |                   |                   | 72" (1828.80 mm) |
| EL824 | 002122208024 |                   |                   |                   |                   |                   |                   | 24" (609.60 mm)  |
| EL836 | 002122208036 |                   |                   |                   |                   |                   |                   | 36" (914.40 mm)  |
| EL848 | 002122208048 | .125<br>(3.18 mm) | .187<br>(4.75 mm) | 7.00<br>(17.78mm) | PVC<br>Heatshrink | .207<br>(5.26 mm) | .187<br>(4.75 mm) | 48" (1219.2 mm)  |
| EL860 | 002122208060 |                   |                   |                   |                   |                   |                   | 60" (1524.0 mm)  |
| EL872 | 002122208072 |                   |                   |                   |                   |                   |                   | 72" (1828.80 mm) |



### EXL - Standard End Ferrule, PVC Monocoil Sheathing, Rated for -40°F to 221°F

| Model  | Part #       | A                 | B                 | C                 | D     | E | F                 | L                |
|--------|--------------|-------------------|-------------------|-------------------|-------|---|-------------------|------------------|
| EXL624 | 002124206024 |                   |                   |                   |       |   |                   | 24" (609.60 mm)  |
| EXL636 | 002124206036 |                   |                   |                   |       |   |                   | 36" (914.40 mm)  |
| EXL660 | 002124206060 |                   |                   |                   |       |   |                   | 60" (1524.0 mm)  |
| EXL672 | 002124206072 |                   |                   |                   |       |   |                   | 72" (1828.80 mm) |
| EXL824 | 002124208024 |                   |                   |                   |       |   |                   | 24" (609.60 mm)  |
| EXL836 | 002124208036 |                   |                   |                   |       |   |                   | 36" (914.40 mm)  |
| EXL848 | 002124208048 | .125<br>(3.18 mm) | .187<br>(4.75 mm) | 7.00<br>(17.78mm) | Metal | - | .187<br>(4.75 mm) | 48" (1219.2 mm)  |
| EXL860 | 002124208060 |                   |                   |                   |       |   |                   | 60" (1524.0 mm)  |
| EXL872 | 002124208072 |                   |                   |                   |       |   |                   | 72" (1828.80 mm) |

#### Vision Light Tech B.V.

Protonenlaan 22, 5405 NE UDEN, P.O. Box 345, 5400 AH UDEN, The Netherlands

Phone: +31 (0)413 26 00 67, Fax +31 (0)413 26 09 38, E-mail: inquiry@vlt.nl, Website: www.vlt.nl

Trade register No. 17150044, VAT No. NL8112.30.946.B01