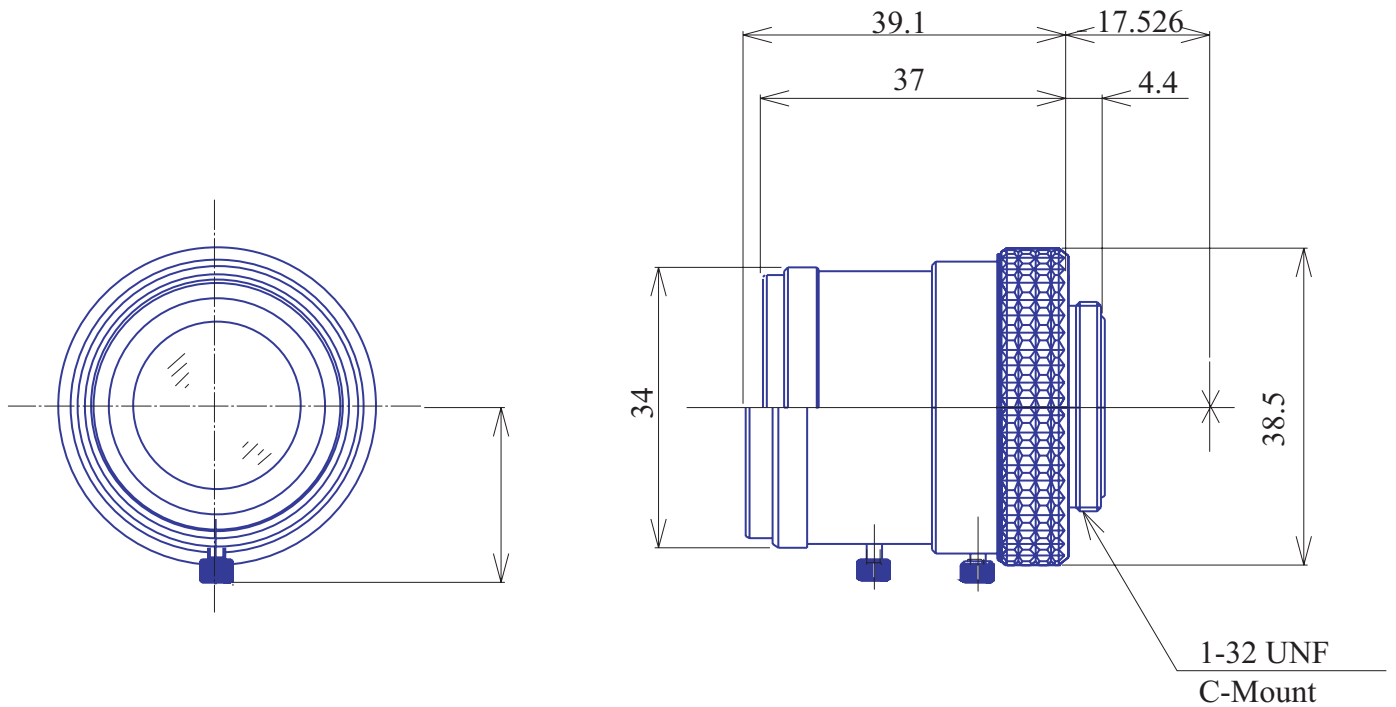


## 2/3inch Format High resolution 5 Megapixel Lenses Item No.GMB5HR31614MCN



| ITEM NO.                     |      | GMB5HR31614MCN        |
|------------------------------|------|-----------------------|
| Focal Length                 |      | 16 (mm)               |
| Iris Range                   |      | F1.4 - 16             |
| Angle of View<br>(H x V x D) | 2/3" | 30°0' x 22°7' x 37°0' |
| MOD                          |      | 0.2 (m)               |
| Filter Thread                |      | M=30.5, P=0.5         |
| Dimension (D x L)            |      | Ø38.5 x 39.1 (mm)     |
| Weight                       |      | 85 (g)                |