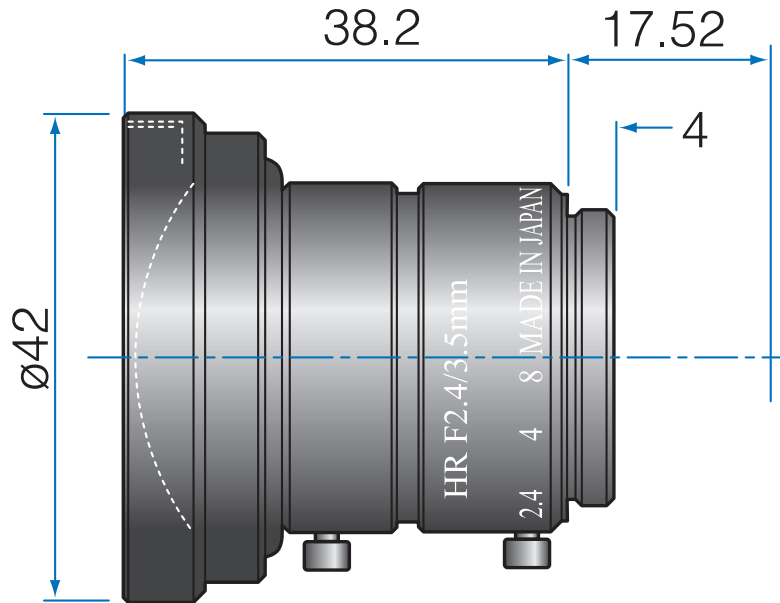


1.5 MP 1/2" Fixed-Focal

GMHR23524MCN

+31 (0)413 26 00 67



Part No.	GMHR23524MCN
Focal Length	3.5mm
Iris Range	f/2.4-16
Lens Format	1/2"
Resolution	120 lp/mm
MOD	100mm
Mount	C
Filter Thread	M40.5xP0.5
Angle of View (HxV) 1/2"	82.4° x 66.9°
Weight	75g
Dimension (DxL)	$\varnothing 42$ x 38.2