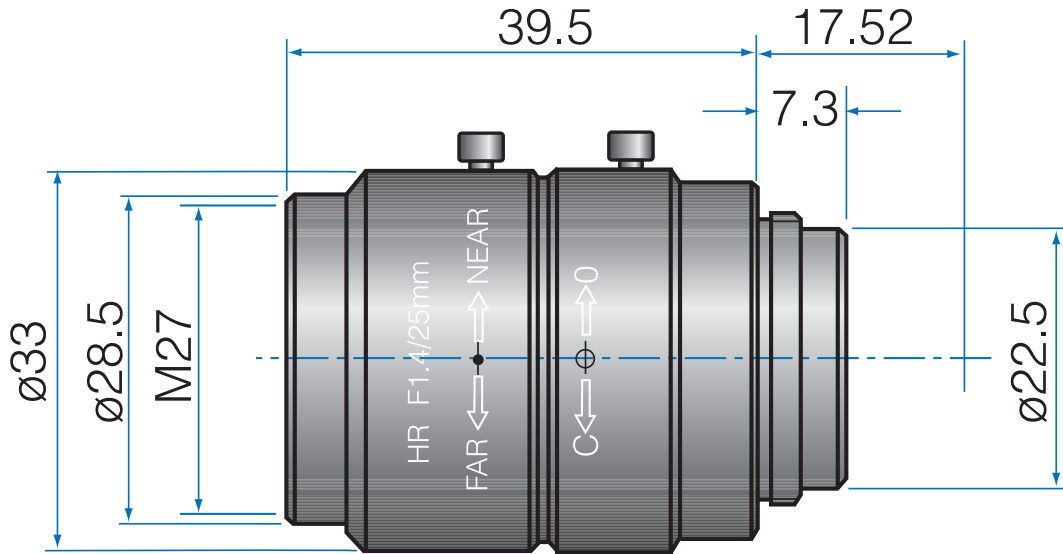


1.5 MP 2/3" Fixed-Focal

GMHR32514MCN

+31 (0)413 26 00 67



Part No.	GMHR32514MCN
Focal Length	25mm
Iris Range	f/1.4-Close
Lens Format	2/3"
Resolution	120 lp/mm
MOD	200mm
Mount	C
Filter Thread	M27xP0.5
Angle of View (HxVxD) 1/2"	14.0° x 10.5° x 17.5°
Angle of View (HxVxD) 1/2"	19.6° x 14.8° x 24.3°
Weight	90g
Dimension (DxL)	$\varnothing 33$ x 40.0