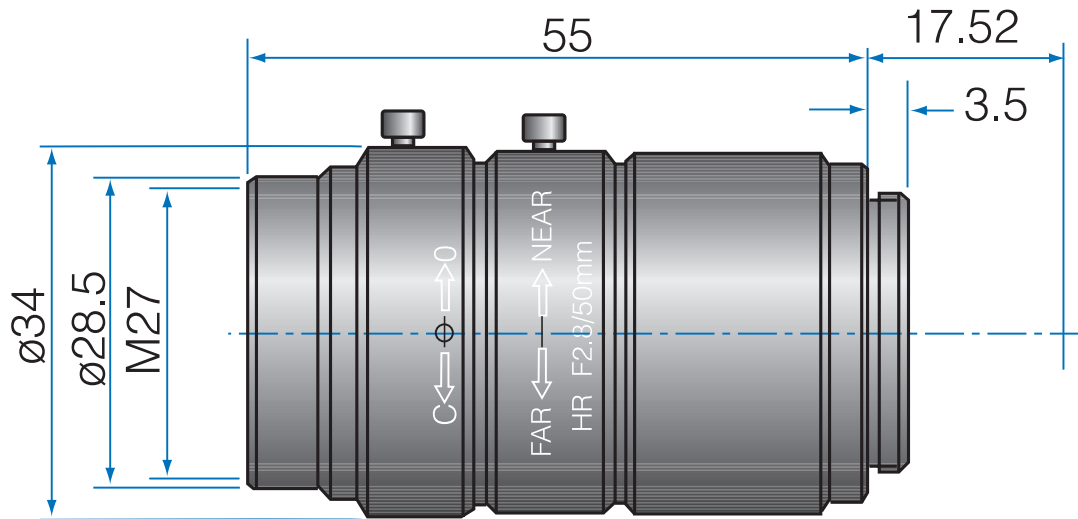


1.5 MP 2/3" Fixed-Focal

GMHR35028MCN

+31 (0)413 26 00 67



Part No.	GMHR35028MCN
Focal Length	50mm
Iris Range	f/2.8-Close
Lens Format	2/3"
Resolution	120 lp/mm
MOD	200mm
Mount	C
Filter Thread	M27 x P0.5
Angle of View (HxVxD) 1/2"	7.0° x 5.2° x 8.7°
Angle of View (HxVxD) 2/3"	9.6° x 7.2° x 11.9°
Weight	95g
Dimension (DxL)	Ø34 x 55.0