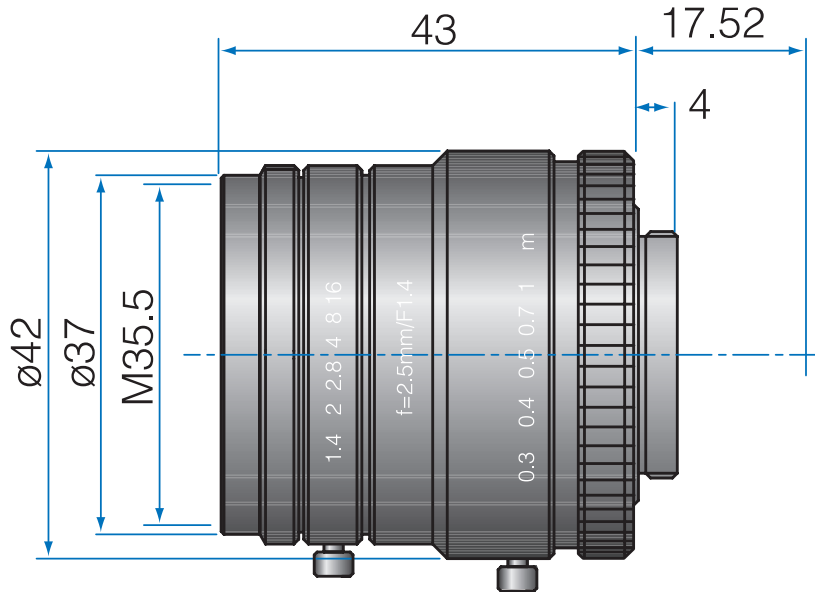


1.5 MP 1" Fixed-Focal

# GMHR42514MCN

+31 (0)413 26 00 67



Part No.	GMHR42514MCN
Focal Length	25mm
Iris Range	f/1.4-16
Lens Format	1"
Resolution	120 lp/mm
MOD	300mm
Mount	C
Filter Thread	M35.5xP0.5
Angle of View (HxVxD) 1"	29.3° x 22.0° x 36.6°
Weight	125g
Dimension (DxL)	Ø42 x 43