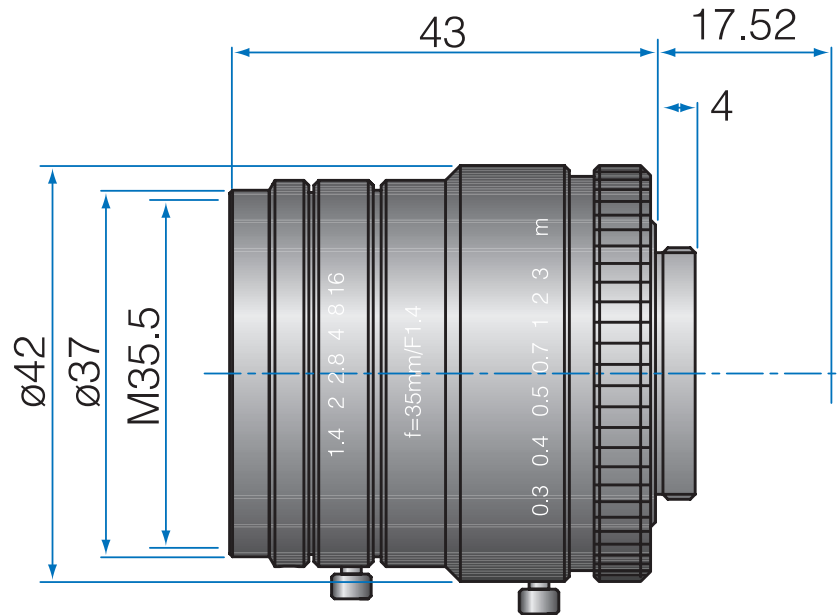


1.5 MP 1" Fixed-Focal

# GMHR43514MCN

+31 (0)413 26 00 67



| Part No.                 | GMHR43514MCN          |
|--------------------------|-----------------------|
| Focal Length             | 35mm                  |
| Iris Range               | f/1.4-16              |
| Lens Format              | 1"                    |
| Resolution               | 120 lp/mm             |
| MOD                      | 300mm                 |
| Mount                    | C                     |
| Filter Thread            | M35.5xP0.5            |
| Angle of View (HxVxD) 1" | 20.9° x 15.8° x 26.1° |
| Weight                   | 130g                  |
| Dimension (DxL)          | Ø42 x 43              |