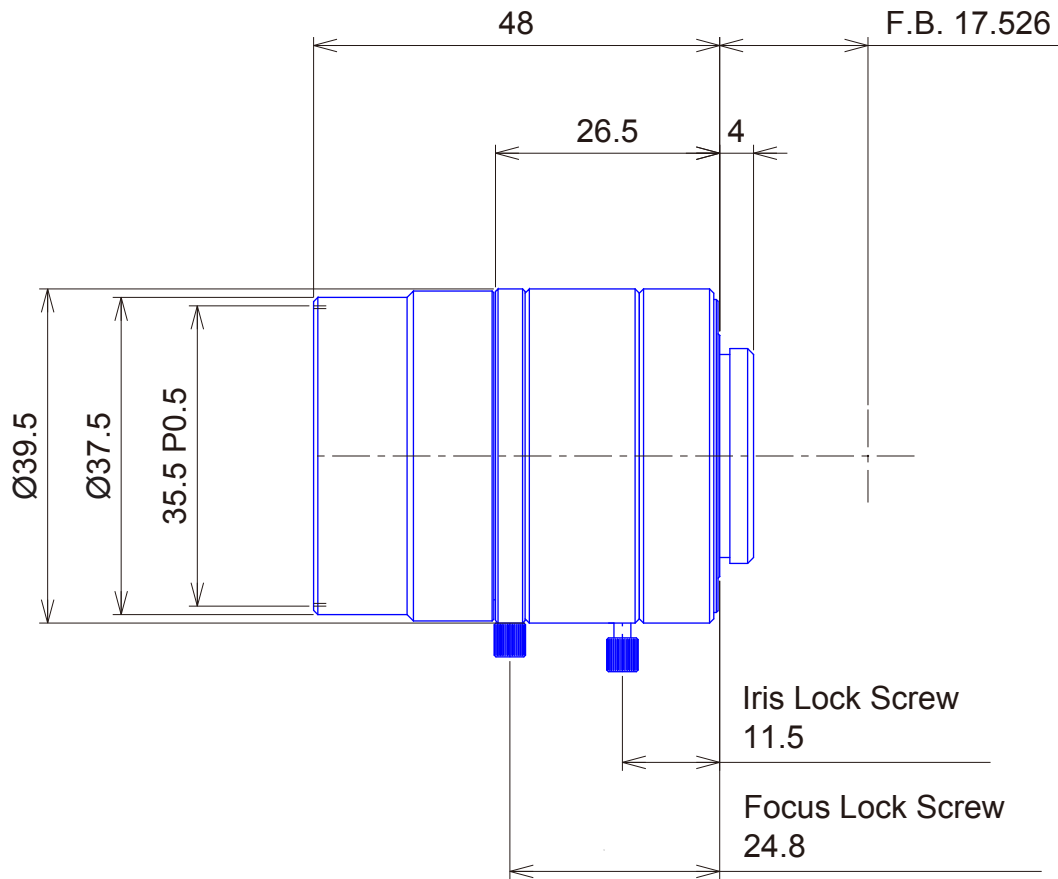


Industrial Lens

High Resolution Megapixel Lenses

Item No. GMXHR33514MCN-1



ITEM NO.		GMXHR33514MCN-1
Focal Length		35 (mm)
Iris Range		F1.4 - 22
Angle of View (H x V x D)	2/3"	14.3° x 10.8° x 17.8°
MOD		0.25 (m)
Filter Thread		M35.5, P=0.5
Dimension (D x L)		$\text{Ø}37.5 \times 56.5$ (mm)
Weight		145 (g)
Notes		3megapixel

Vision Light Tech B.V.

Protonenlaan 22, 5405 NE Uden, P.O. Box 345, 5400 AH Uden, The Netherlands

Phone: +31 (0)413 26 00 67, Fax: +31 (0)413 26 09 38, E-mail: info@vlt.nl, Website: www.vlt.nl

Trade register No. 17150044, VAT No. NL8112.30.946.B01

