



Vision Light Tech

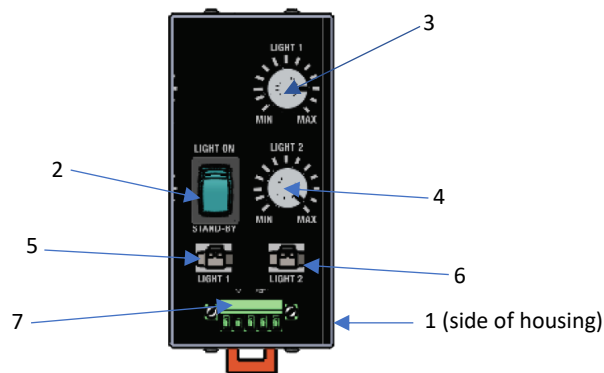
creating optical solutions

LC2-PWM20



The LC2-PWM20 is a dual channel, pulsewidth modulated LED intensity controller. It outputs 12V PWM from 0-100% at 100kHz to drive LED loads with series limiting resistors. The maximum output is 20W per channel and 30W combined for two channels. Power is limited by the 24V power supply.

LC2-PWM20 Functions / Controls



1	Power Limiter Switch (default setting is NORM) <ul style="list-style-type: none">• NORM – Limits light adjustment range to 0 to 60% to protect LED element. Always use the NORM setting when operating the device with continuous lighting by pushing the switch away from the face panel.• FULL – Allows an intensity adjustment range of 0 to 100% by pulling the switch towards the face panel.
2	Standby Switch
3	Channel 1 intensity adjustment
4	Channel 2 intensity adjustment
5	Channel 1 output connector
6	Channel 2 output connector
7	Input Terminals

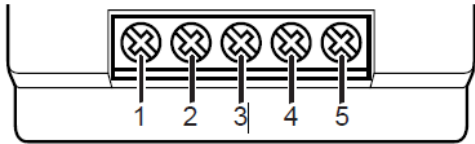
Vision Light Tech B.V.

Protonenlaan 22, 5405 NE UDEN, P.O. Box 345, 5400 AH UDEN, The Netherlands

Phone: +31 (0)413 26 00 67, Fax +31 (0)413 26 09 38, E-mail: inquiry@vlt.nl, Website: www.vlt.nl

Trade register No. 17150044, VAT No. NL8112.30.946.B01

• Input Terminals

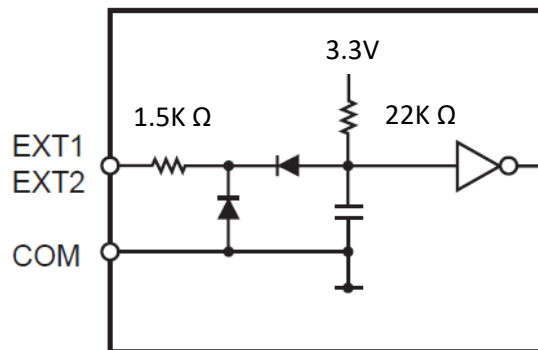


Compatible cables: AWG #14 to #22

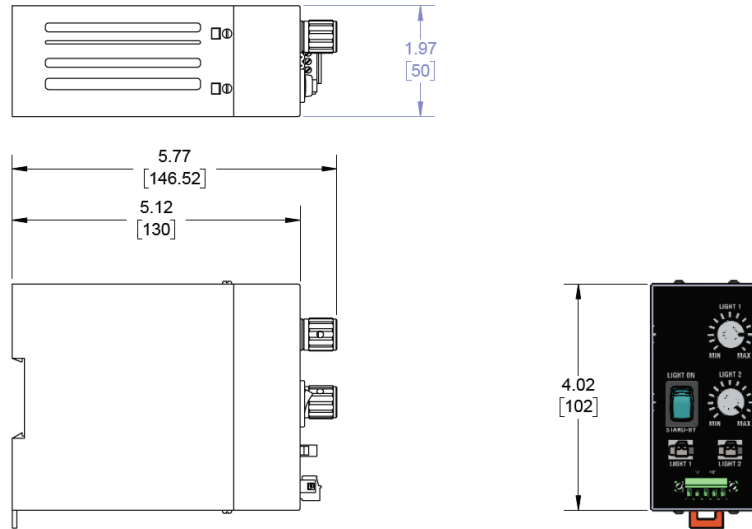
Terminal	Label	Description / Note
1	24 VDC	Power supply should be limited to 1.8A max
2	0V	Power Supply 24V RTN
3	COM	External control Common terminal
4	EXT 1	External control input channel 1 (0-24V) • Deactivates channel 1 when shorted to COM
5	EXT 2	External control input channel 2 (0-24V) • Deactivates channel 2 when shorted to COM

• Circuit Diagram

Input Terminals: EXT1, EXT2
Disable Output: 1.0V and less
Enable Output: 1.25V and higher or float



Dimensions



Specifications

LC2-PWM20		
OUTPUT	Intensity Control	Pulse Width Modulation @ 100kHz
	Connections	2 channels
	Voltage	12VDC PWM (not constant-current)
	Max LED Load	20W per channel, 30W combined total
INPUT	Power Supply	24VDC \pm 10% limited to 1.8A to protect Controller and LED load
ENVIRONMENTAL CONDITIONS	Temperature	0 to 45°C
	Humidity	0 to 85% RH (non-condensing)
	Weight	210 grams