



# MetaBright™ Line Light Model:MB-LL306



**Vision Light Tech**  
creating optical solutions



Metaphase offers the industry's breakthrough performance line lights for imaging, web, and high-speed line scan applications requiring ultra-high intensity and uniformity. Our line lights are built as lean fixtures that can be easily controlled and integrated into visions systems.

Our MetaBright™ Line Lights feature an adjustable lens and low current consumption.

## BENEFITS:

- High Uniformity both laterally and longitudinally
- High Intensity, over 1 million Lux
- Lens Options for various beam widths and working distances
- Available in various Light wavelengths including IR, UV and RGB
- Strobe synchronization; Control compatibility for high precision pulse-modulation and 0-10V Intensity Control capability
- Adjustable lens focusing range of mm to meters
- Backlight versions for web backlight & silhouetting applications
- From 1" to 120" (10ft) in length
- Built-in constant current driver(s) - consistent illumination output
- 24V version require no special controllers; simply provide 24VDC

## APPLICATIONS:

- Road Surface Inspection
- Bottle Inspection
- High Speed Scanning
- Sheet Inspection
- Web Inspection
- Print Inspection

## RATINGS:



## DOMINANT WAVELENGTH:

Part #	Color	Power Supply
MB-LL306-W-24	White 5500K	
MB-LL306-R-24	Red 630nm	
MB-LL306-B-24	Blue 470nm (Optional 455nm)	
MB-LL306-G-24	Green 530nm	24 volt power supply available upon request.
MB-LL306-IRN-24	Infrared 850nm	
MB-LL306-IRL-24	Infrared 880nm	
MB-LL306-UVL-24	UV 395nm	
MB-LL306-UVS-24	UV 365nm	

10 ft. flying leads come standard on all products.  
Light features built-in constant current driver.  
No expensive controller required.

### Vision Light Tech B.V.

Protonenlaan 22, 5405 NE UDEN, P.O. Box 345, 5400 AH UDEN, The Netherlands

Phone: +31 (0)413 26 00 67, Fax +31 (0)413 26 09 38, E-mail: inquiry@vlt.nl, Website: www.vlt.nl

Trade register No. 17150044, VAT No. NL8112.30.946.B01



# MetaBright™ Line Light

## Model:MB-LL306



**Vision Light Tech**  
creating optical solutions

### ELECTRICAL & CONTROLS:

Current Consumption	2.2A
Light Intensity	+/-5%
Illuminance	1.6Million Lux
Operating Temperature	-40°F(-45°) to 100°F (37.8°C)
Lifetime Hours	75,000 Hours

### HOUSING:

Dimensions	Length: 11in/279.4mm
	Width: 1.57in/39.9mm
	Height: 4.63in/117.66mm
Weight	4lb/1814.37 g
Housing	Aluminum
Finish	Powder Coating - Black

### WIRING DIAGRAM:

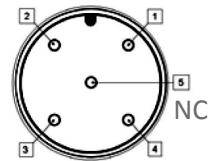
RED	+24VDC
GREEN	Signal Ground
BLACK	Ground
WHITE	0-10VDC Intensity Control

18 AWG 4 WIRES CABLE X 1

When not using intensity control, connect 0-10V control line to +24 (Max Intensity Control = 25V) and intensity control ground to ground

### WIRING DIAGRAM:

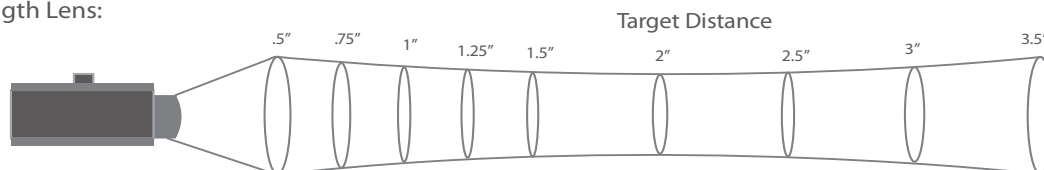
PIN #	Function
1	+24VDC
2	0-10VDC Intensity Control
3	Ground
4	Signal Ground



### FOCAL LENS:

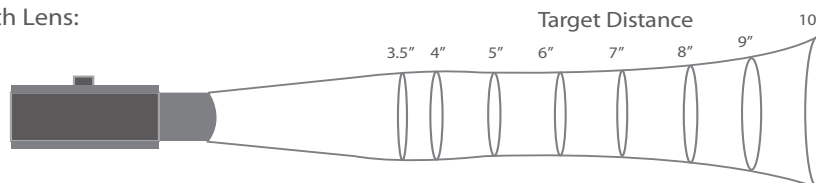
KEY: values in parenthesis are millimeter measurements

#### Standard Focal Length Lens:



Target Distance	0.5" (13)	0.75" (19)	1.00" (25)	1.25" (32)	1.50" (38)	2.00" (51)	2.50" (68)	3.00" (88)	3.50" (89)
Intensity (million LUX)	.80	1.27	1.21	1.18	1.16	.90	.66	.47	.32
Line Width	0.4 (10)	.25 (6.3)	.2 (5)	.2 (5)	.18 (4.6)	.18 (4.6)	.18 (4.6)	.3 (7.6)	>.3 (10)

#### Longer Focal Length Lens:



Target Distance	3.5" (89)	4.0" (102)	5.0" (127)	6.0" (162)	7.0" (178)	8.0" (203)	9.0" (229)	10.0" (264)
Intensity (million LUX)*	1.07	1.1	1.1	1.1	1.1	1.09	1.04	.98
Line Width	.2 (5)	.2 (5)	.2 (5)	.35 (8.9)	.4 (10)	.4 (10)	.5 (12.7)	.6 (15.2)

### Vision Light Tech B.V.

Protonenlaan 22, 5405 NE UDEN, P.O. Box 345, 5400 AH UDEN, The Netherlands

Phone: +31 (0)413 26 00 67, Fax +31 (0)413 26 09 38, E-mail: inquiry@vlt.nl, Website: www.vlt.nl

Trade register No. 17150044, VAT No. NL8112.30.946.B01



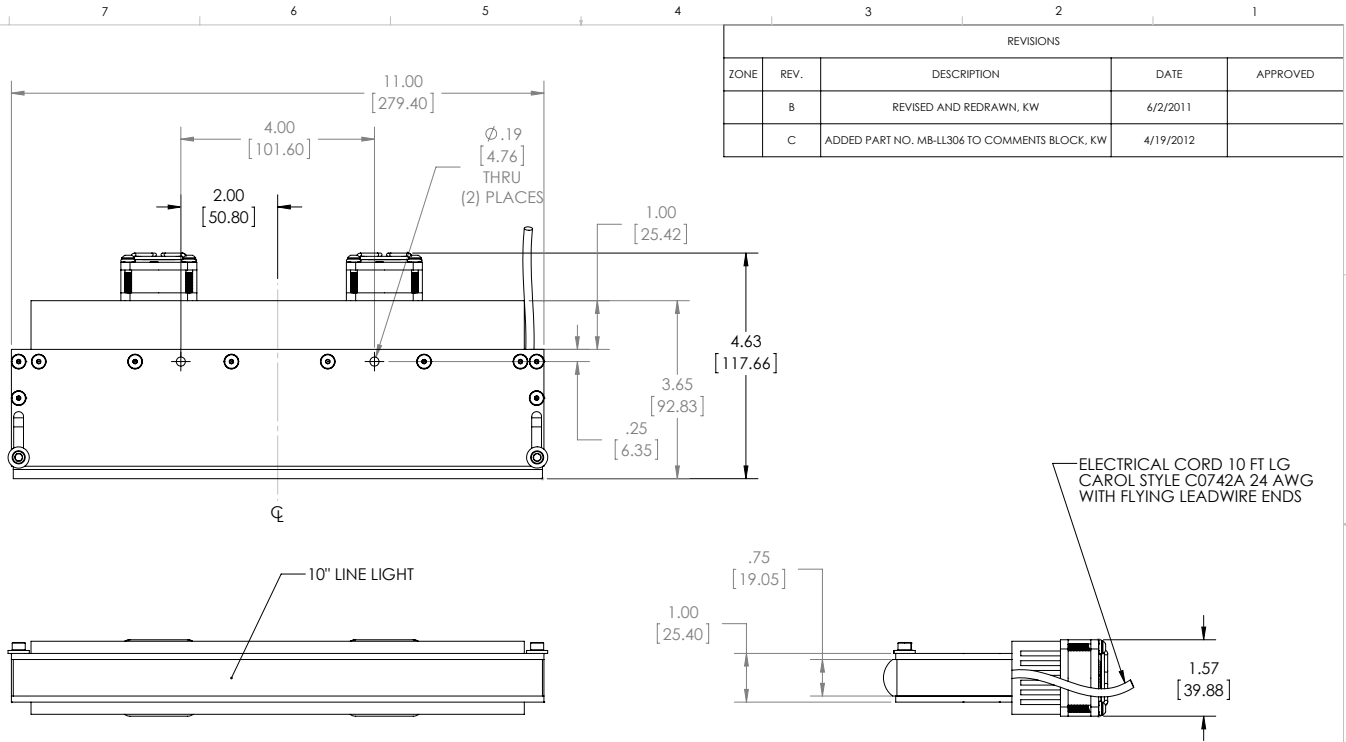
# MetaBright™ Line Light

## Model:MB-LL306



**Vision Light Tech**  
creating optical solutions

### DRAWING & DETAILS:



REVISIONS				
ZONE	REV.	DESCRIPTION	DATE	APPROVED
	B	REVISED AND REDRAWN, KW	6/2/2011	
	C	ADDED PART NO. MB-LL306 TO COMMENTS BLOCK, KW	4/19/2012	

ELECTRICAL CORD 10 FT LG CAROL STYLE C0742A 24 AWG WITH FLYING LEADWIRE ENDS

**PROPRIETARY AND CONFIDENTIAL**  
THE INFORMATION CONTAINED IN THIS DRAWING IS THE SOLE PROPERTY OF ENISST COMPANY NAME HERE. ANY REPRODUCTION IN PART OR AS A WHOLE WITHOUT THE WRITTEN PERMISSION OF ENISST COMPANY NAME HERE IS PROHIBITED.

UNLESS OTHERWISE SPECIFIED:		NAME	DATE	METAPHASE TECHNOLOGIES, INC.
DIMENSIONS ARE IN INCHES		KW	6-2-11	
TOLERANCES:		DRAWN		
FRACTIONALS: ±		CHECKED		
ANGULAR: MACH ± BEND ±		ENG APPR:		
TWO PLACE DECIMAL ±		MFG APPR:		
THREE PLACE DECIMAL ±		Q.A.		
INTERPRET GEOMETRIC TOLERANCING PER:		COMMENTS:		
MATERIAL:		PART NO.		
FINISH		MB-LL306		
NEXT ASSY		USED ON		
APPLICATION		DO NOT SCALE DRAWING		
		SIZE	DWG. NO.	REV
		B	MB-LL305	C
		SCALE: 1:2	WEIGHT:	SHEET 1 OF 1

R:\Metaphase Technologies\K. Whittaker\LINE LIGHTS\MB-LL305, 10 INCH\

### ORDERING INFORMATION:

• MB - LL 306 -  - 2 4 -

**Back Line Light Option:**  
Replace designator "LL" with "BLL" on the prefix for units deployed in transmitted imaging applications.  
ex: MB-BLL106-R-24

- W**- White 6000k
- R**- Red 630nm
- G**- Green 530nm
- B**- Blue 470 nm (Optional 450nm)
- IRN**- Infrared 850nm
- UVL**- (long) 395nm
- UVS**- (short) 365nm

- \*BLANK**- 10 ft. Flying Leads
- T**- M12 Quick Disconnect
- ILD**- In Line Dimmer
- ILS**- In Line Strobe (customer provide trigger info)
- LL**- Long Focal Lens
- NF**- No Fans

\* Intensity will be lower for NON-Fan option

**Vision Light Tech B.V.**

Protonenlaan 22, 5405 NE UDEN, P.O. Box 345, 5400 AH UDEN, The Netherlands

Phone: +31 (0)413 26 00 67, Fax +31 (0)413 26 09 38, E-mail: inquiry@vlt.nl, Website: www.vlt.nl

Trade register No. 17150044, VAT No. NL8112.30.946.B01