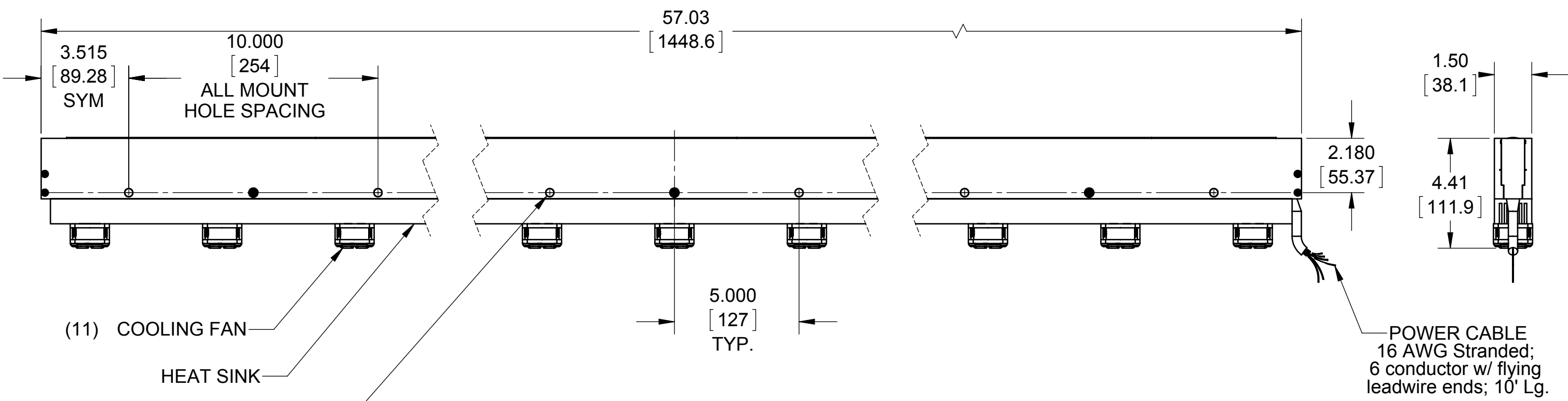
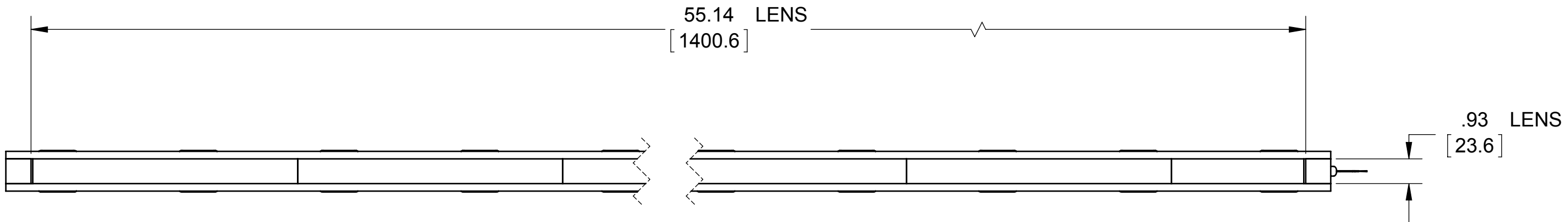


REVISIONS			
REV.	DESCRIPTION	DATE	APPROVED



Metaphase Technologies, Inc., 211 Sinclair Rd. Suite 100, Bristol, PA 19007 215-639-8699 Fax 215-639-0977

QUANTITY: <u>Per order</u>	TOLERANCE/FINISH UNLESS OTHERWISE SPECIFIED	
MATERIAL: <u>Per BOM</u>	INCHES[MM]	125V RMS [RA3.2um]
FINISH: <u>Black Anodize</u>	X .X .XX .XXX	ANGLES $\pm 1^\circ$
TREATMENT: <u>N/Awww.metaphase-tech.com</u>	[$\pm .76$] [$\pm .030$ [$\pm .25$]] [$\pm .010$ [$\pm .13$]]	$\pm .005$

THIS DOCUMENT IS THE PROPERTY OF A9H5D<5G9'H97<BC@; 9GZ-B7" WHO MAY LOAN IT, SUBJECT TO RETURN UPON DEMAND. IT INCLUDES CONFIDENTIAL & PROPRIETARY INFORMATION WHICH MAY NOT BE DISCLOSED TO ANY THIRD PARTY, AND/ OR USED FOR ANY PURPOSE CONTRARY TO ITS INTENDED USE, WITHOUT THE EXPRESSED PRIOR WRITTEN CONSENT OF A9H5D<5G9'H97<BC@; 9GZ-B7"

Metaphase
LED Lighting for Machine Tools & Specialty Markets

H#9
Top Assembly- 55" Col. Line Light

I G98'CB

Per customer

G#9 6 8F5K-B; B1 A 69F MB-CLL1207-1 F9J A

SCALE 1:4 SHEET 1 OF 2

APPROVED
By Kevin High at 9:55 am, Jul 29, 2013