

# MetaBright™ High Power Diffuse Do

Model#: MB-DL206



- Patent-pending LED heat management for consistent performance
- High intensity and uniform, non-directional illumination across entire lighting hemisphere for area scan
- Ideal for highly reflective surfaces and textured or topographic objects
- Provides cloudy day illumination, minimizing shadows and glare
- Enclosed workspace blocks interference of ambient light
- Optical grade reflector coating reflects 99.9% of light for optimum diffused output
- Strobe & dimming options
- Mounting: Comes with mounting studs

### Specifications:

Current Consumption	0.3A
Housing	Aluminium
Finish	Powder Coated Black
Intensity Uniformity	+/-5%
Operating Temperature	120° F Max
Illuminance	83,000 Lux
Compliance	CE/RoHS
Lifetime Hours	80,000 Hours

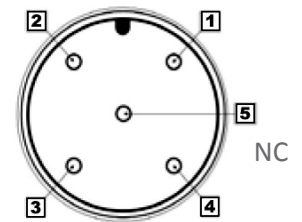
### Wiring Diagram

Flying Leads	Function
RED	+24VDC
WHITE	0~10V
BLACK	Ground
GREEN	Signal Ground

24 AWG 4 WIRES CABLE X 1  
 When not using intensity control, connect 0-10V control line to +24 (Max Intensity Control = 25V) and intensity control ground to ground

### M12 Connector

PIN #	Function
1	+24VDC
2	0-10VDC Intensity Control
3	Ground
4	Signal Ground



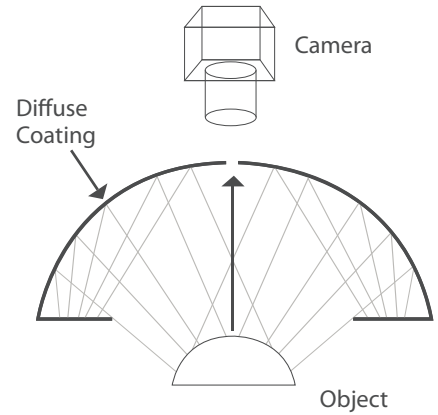
Active Area	Dimensions	Camera Aperture
1.9" I.D. 48.2mm I.D.	2.05in x 4.86in 52.06mm x 123.54mm	.75in 19.05mm

### ORDERING INFORMATION:

• MB-DL206	-	<input type="checkbox"/>	-	24	-	<input type="checkbox"/>	
		<b>W</b>	White 6000k			<b>*BLANK</b>	10 ft. Flying Leads
		<b>R</b>	Red 630nm			<b>T</b>	M12 Quick Disconnect
		<b>G</b>	Green 530nm			<b>ILD</b>	In Line Dimmer
		<b>B</b>	Blue 455 nm			<b>ILS</b>	In Line Strobe (customer provide trigger info)
		<b>IRN</b>	Infrared 850nm			<b>LL</b>	Long Focal Lens
		<b>RGB</b>	625/530/455nm				

# MetaBright™ High Power Diffuse Dome Light

Model#: MB-DL206



## Drawing

