

MetaBright™ High Power Diffuse Do

Model#: MB-DL306



- Patent-pending LED heat management for consistent performance
- High intensity and uniform, non-directional illumination across entire lighting hemisphere for area scan
- Ideal for highly reflective surfaces and textured or topographic objects
- Provides cloudy day illumination, minimizing shadows and glare
- Enclosed workspace blocks interference of ambient light
- Optical grade reflector coating reflects 99.9% of light for optimum diffused output
- Strobe & dimming options
- Mounting: Comes with mounting studs

Specifications:

Current Consumption	0.6A
Housing	Aluminium
Finish	Powder Coated Black
Intensity Uniformity	+/-5%
Operating Temperature	120° F Max
Illuminance	61,500 Lux
Compliance	CE/RoHS
Lifetime Hours	75,000 Hours

Wiring Diagram

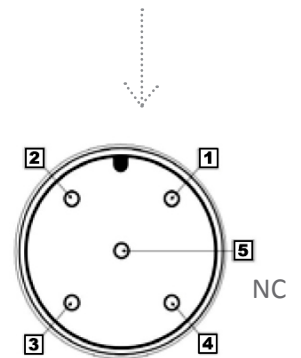
Flying Leads	Function
RED	+24VDC
WHITE	0~10V
BLACK	Ground
GREEN	Signal Ground

24 AWG 4 WIRES CABLE X 1
 When not using intensity control, connect 0-10V control line to +24 (Max Intensity Control = 25V) and intensity control ground to ground

M12 Connector

PIN #	Function
1	+24VDC
2	0-10VDC Intensity Control
3	Ground
4	Signal Ground

Active Area	Dimensions	Camera Aperture
4" I.D.	3.12in x 7.4in	.74in
101.6mm I.D.	79.2mm x 188mm	18.8mm



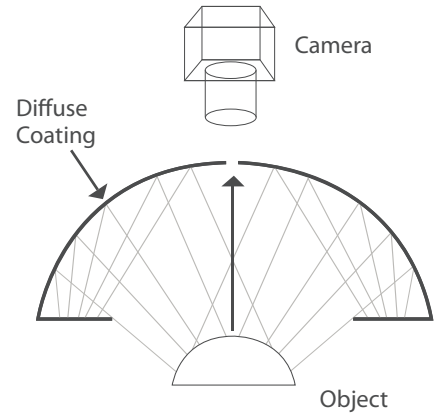
ORDERING INFORMATION:

• MB-DL306	-	<input type="checkbox"/>	-	2	4	-	<input type="checkbox"/>
		W	White 6000k				*BLANK
		R	Red 630nm				T
		G	Green 530nm				ILD
		B	Blue 455 nm				ILS
		IRN	Infrared 850nm				LL
		RGB	625/530/455nm				
							10 ft. Flying Leads
							M12 Quick Disconnect
							In Line Dimmer
							In Line Strobe (customer provide trigger info)
							Long Focal Lens



MetaBright™ High Power Diffuse Dome Light

Model#: MB-DL306



Drawing

