

# MetaBright™ High Power Diffuse Do

Model#: MB-DL406



- Size: 7" I.D./10" O.D.
- Patent-pending LED heat management for consistent performance
- High intensity and uniform, non-directional illumination across entire lighting hemisphere for area scan
- Ideal for highly reflective surfaces and textured or topographic objects
- Provides cloudy day illumination, minimizing shadows and glare
- Enclosed workspace blocks interference of ambient light
- Optical grade reflector coating reflects 99.9% of light for optimum diffused output
- Strobe & dimming options
- Mounting: Comes with mounting studs

## Specifications:

Current Consumption	1.59A
Housing	Aluminium
Finish	Powder Coated Black
Intensity Uniformity	+/-5%
Operating Temperature	120° F Max
Illuminance	68,000 Lux
Compliance	CE/RoHS
Lifetime Hours	75,000 Hours

## Wiring Diagram

Flying Leads	Function
RED	+24VDC
WHITE	0~10V
BLACK	Ground
GREEN	Signal Ground

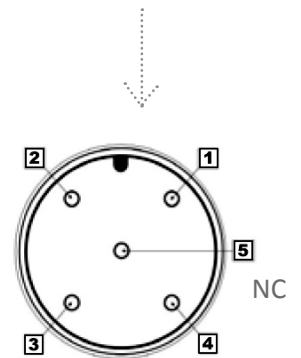
24 AWG 4 WIRES CABLE X 1  
 When not using intensity control, connect 0-10V control line to +24 (Max Intensity Control = 25V) and intensity control ground to ground

## M12 Connector

PIN #	Function
1	+24VDC
2	0-10VDC Intensity Control
3	Ground
4	Signal Ground

## Active Area      Dimensions      Camera Aperture

7" I.D. 177.8mm	5.16in x 11.62in 131.1mm x 295.3mm	1in 25.4mm
--------------------	---------------------------------------	---------------

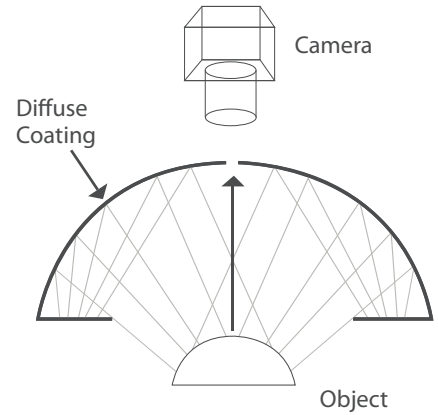


## ORDERING INFORMATION:

• MB-DL406	-	<input type="checkbox"/>	- 2 4 -	<input type="checkbox"/>	
		<b>W</b>	White 6000k	<b>*BLANK</b>	10 ft. Flying Leads
		<b>R</b>	Red 630nm	<b>T</b>	M12 Quick Disconnect
		<b>G</b>	Green 530nm	<b>ILD</b>	In Line Dimmer
		<b>B</b>	Blue 455 nm	<b>ILS</b>	In Line Strobe (customer provide trigger info)
		<b>IRN</b>	Infrared 850nm	<b>LL</b>	Long Focal Lens
		<b>RGB</b>	625/530/455nm		

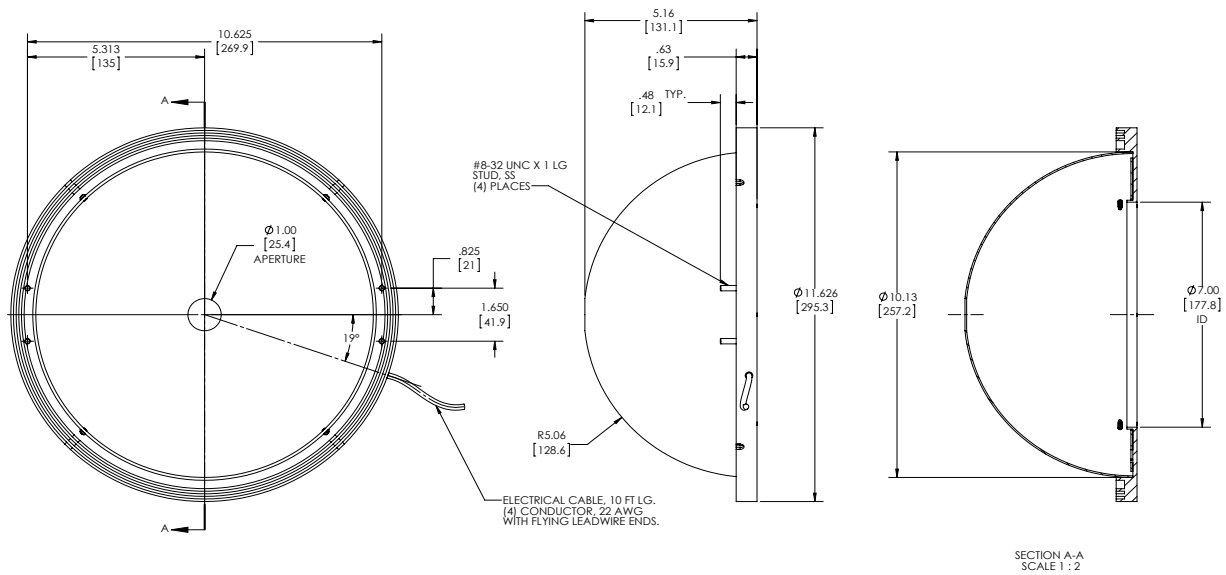
# MetaBright™ High Power Diffuse Dome Light

Model#: MB-DL406



## Drawing

REVISIONS				
ZONE	REV.	DESCRIPTION	DATE	APPROVED
	B	REDRAWN IN SOLIDWORKS, KW	5/10/2012	



SECTION A-A  
SCALE 1:2

UNLESS OTHERWISE SPECIFIED:	NAME:	DATE:	METAPHASE TECHNOLOGIES, INC.
DRAWING: KW	DATE: 5/10/2012	TITLE:	
TOLERANCES: DECIMAL: .010	FRAC: 1/32	DOME LIGHT, 7 INCH, ID	
ANGULAR: MINUS: .010	MINUS: .010	SIZE:	DL406
THREE PLACE DECIMAL: .005	MINUS: .005	SCALE:	NTS
UNLESS OTHERWISE SPECIFIED:	DATE:	SIZE:	DL406
TOLERANCES: DECIMAL: .010	DATE: 5/10/2012	SCALE:	NTS
FRAC: 1/32	DATE: 5/10/2012	SIZE:	DL406
ANGULAR: MINUS: .010	DATE: 5/10/2012	SCALE:	NTS
THREE PLACE DECIMAL: .005	DATE: 5/10/2012	SIZE:	DL406
UNLESS OTHERWISE SPECIFIED:	DATE:	SIZE:	DL406
TOLERANCES: DECIMAL: .010	DATE: 5/10/2012	SCALE:	NTS
FRAC: 1/32	DATE: 5/10/2012	SIZE:	DL406
ANGULAR: MINUS: .010	DATE: 5/10/2012	SCALE:	NTS
THREE PLACE DECIMAL: .005	DATE: 5/10/2012	SIZE:	DL406