



### Standard Features:

- Diffused Illumination of Reflective Targets
- Factory Hardened, Industrial Rugged Construction
- High Intensity White Light
- Selection from a Variety of Illuminators Including Quartz-Halogen & Strobes
- Cool Temperature Operation
- No Vibration or Noise Generation
- Clean Room Compatible
- Visible Band-Pass Filtering Capability for Color

# DIFFUSED AXIAL ILLUMINATION

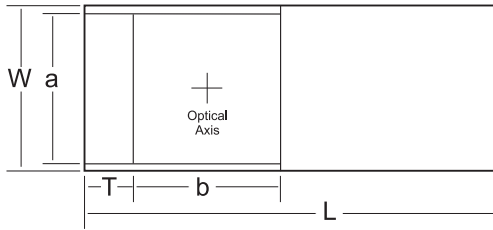
## Model AI-2 & AI-4 Diffused On-Axis Illumination System

The AI-Series optical systems provide wide angle, on-axis, diffused illumination housed in factory hardened, industrial rugged packages. The AI-Series' unique design allows the camera to view the object perpendicularly through the unit. As a result, highly reflective objects with uneven surfaces can reflect light to the camera from every point on their surface, eliminating glints and shadows. The AI-Series optical systems provide more uniform, diffused illumination than most lighting methods.

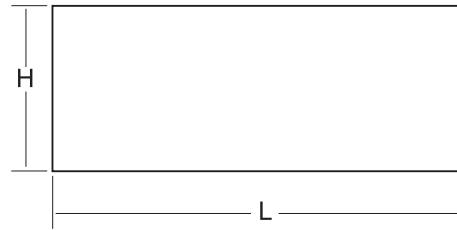
| Model & P/N              | Description   |
|--------------------------|---|
| AI-2<br>001430010000     | Diffusing illumination system w/ 2"x2" viewing window   |
| B448<br>002112007048     | 48" light guide for use w/ AI-2 System  |
| B448M<br>002112424048    | 48" light guide for use w/ AI-2 System, direct-fit for MI-150 and B-Nose illuminators                             |
| AI-4<br>001430020000     | Diffusing illumination system w/ 4"x4" viewing window   |
| MBR3548<br>002140010048  | 48" quad multi-branch randomized light guide for use w/ AI-4 System   |
| MBR3548M<br>002140020048 | 48" quad multi-branch randomized light guide for use w/ AI-4 System direct-fit for MI-150 and B-Nose illuminators |

# AI-2 & AI-4 Dimensions:

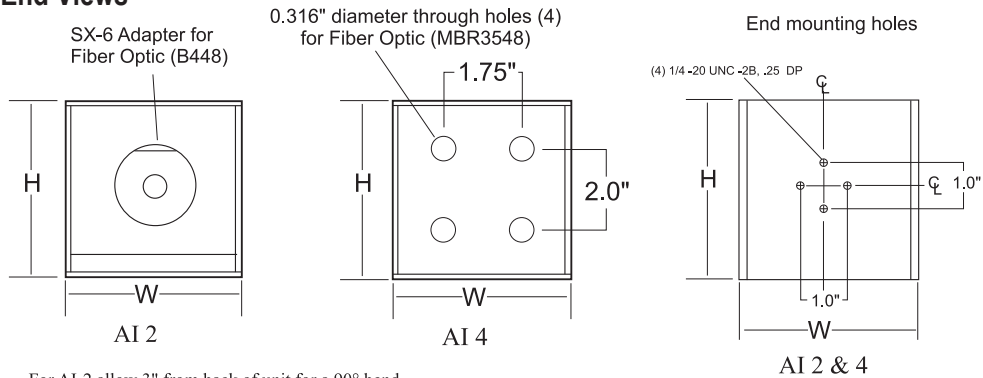
Top View



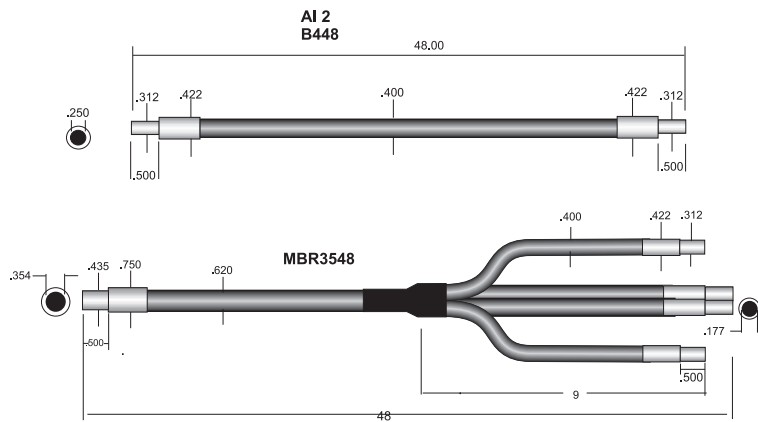
Side View



End Views



- For AI-2 allow 3" from back of unit for a 90° bend. The fiber has a minimum bend radius of 1.5" and the bend should not be attempted for the first .75" after the termination
- For AI-4 allow 3.5" from back of unit for a 90° bend



## Dimensions

| Model | a    | b     | L     | W     | H    | T    |
|-------|------|-------|-------|-------|------|------|
| AI-2  | 2.0" | 1.75" | 5.75" | 2.25" | 2.0" | .38" |
| AI-4  | 4.0" | 3.7"  | 9.0"  | 4.25" | 4.0" | .38" |

# Dolan-Jenner

industries

Dolan-Jenner Industries  
159 Swanson Rd.  
Dorchester, MA 01710 USA

Phone: 800.833.4237  
Fax: 978.264.0292  
Email: support@dolan-jenner.com

### Vision Light Tech B.V.

Protonenlaan 22, 5405 NE UDEN, P.O. Box 345, 5400 AH UDEN, The Netherlands

Phone: +31 (0)413 26 00 67, Fax +31 (0)413 26 09 38, E-mail: inquiry@vlt.nl, Website: www.vlt.nl

Trade register No. 17150044, VAT No. NL8112.30.946.B01