



## MI-150 Remote Systems 150 Watt Remote Control Illuminators



### Standard Features:

- Low Noise, Low Vibration
- Easy Access Lamp Change
- Stackable Housing
- Solid State Intensity Control (0-100%)
- 3-Year Warranty
- UL Approved (115 V)

### Accessories & Options:

- Optional 230 V AC Input
- Optional 12 ft. Controller Cord
- Optional Filter Holder & IR Filter

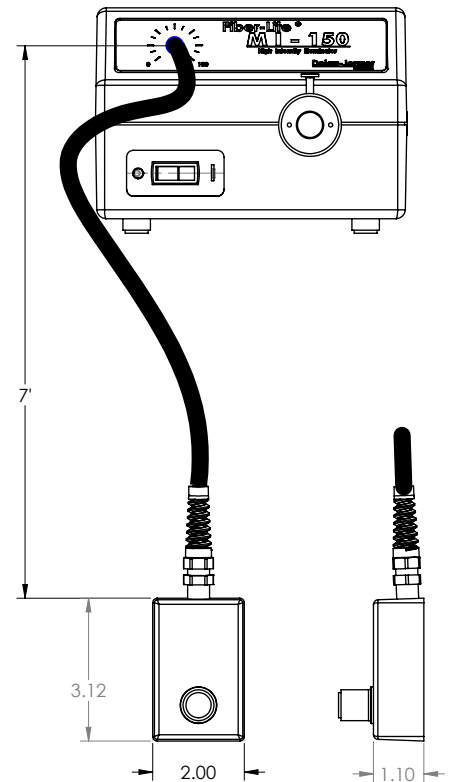
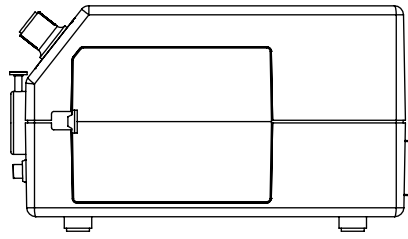
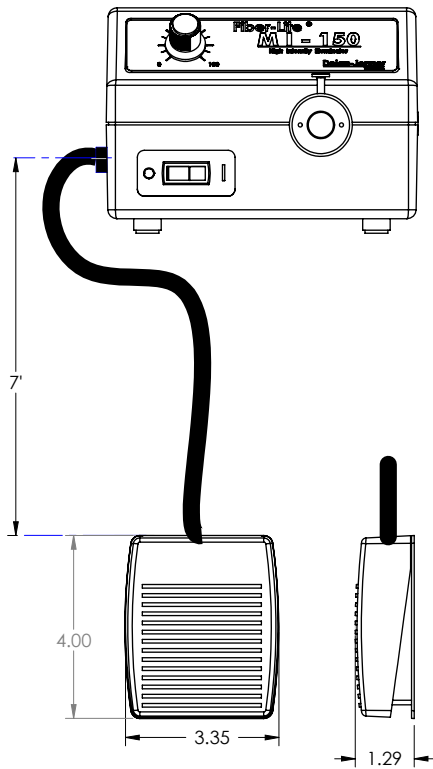
### Technical Information

<b>Model:</b>	<b>MI-150R</b>	<b>MI-150V</b>
<b>P/N:</b>	660000931010	660001070010
<b>Remote Controller:</b>	On/Off, Variable Intensity	On/Off Foot Switch
<b>Controller Cord Length:</b>	7 ft.	
<b>Input:</b>	115 V AC (230 V AC optional)	115 V AC
<b>Lamp:</b>	150 Watt, 21 V, EKE qtz halogen	
<b>Lamp Output:</b>	1750 Lumens at fiber optic insertion plane	
<b>Color Temp.:</b>	3250° Kelvin at max. intensity	
<b>Lamp Life:</b>	200 hrs. at max intensity	
<b>Fiber Optic Interface:</b>	15mm	15mm
<b>Intensity Control:</b>	Variable Solid State (0-100%)	
<b>Fuse 115 V:</b>	3 Amp 5x20mm Slo-blow	
<b>Fuse 230 V:</b>	2 Amp 5x20mm Slo-blow	N/A
<b>Noise Level:</b>	<25 dB	
<b>Safety Certs:</b>	UL (115V)	N/A
<b>Dimensions:</b>	6.0" x 8.5" x 5.3"; 9.25 lbs	

### Options

<b>230v input:</b>	MI-1501R 660000932020	
<b>115v w/ 12 ft Cord:</b>	MI-150T 660000941010	
<b>115v w/ IR filter &amp; holder:</b>		MI-150W 660001070011

# MI-150 Remote Dimensions:



**Dolan-Jenner**  
industries

Dolan-Jenner Industries  
159 Swanson Rd.  
Dorchester, MA 01919 USA

Phone: 800.833.4237  
Fax: 978.264.0292  
Email: [support@dolan-jenner.com](mailto:support@dolan-jenner.com)

**Vision Light Tech B.V.**

Protonenlaan 22, 5405 NE UDEN, P.O. Box 345, 5400 AH UDEN, The Netherlands

Phone: +31 (0)413 26 00 67, Fax +31 (0)413 26 09 38, E-mail: [inquiry@vlt.nl](mailto:inquiry@vlt.nl), Website: [www.vlt.nl](http://www.vlt.nl)

Trade register No. 17150044, VAT No. NL8112.30.946.B01