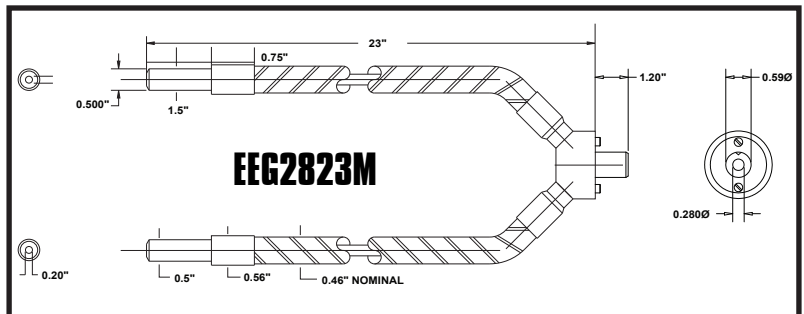
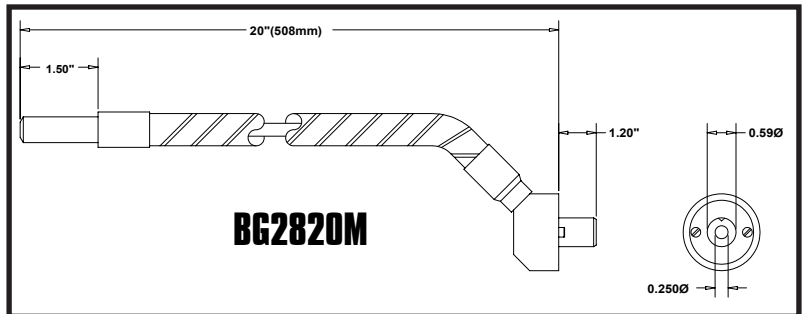




MI-150 Gooseneck Systems Single or Dual Gooseneck Illumination



Standard Features:

- Self-Supporting Gooseneck
- Adjustable Light Positioning
- LH-759 Light-Focusing Lens
- Low Noise, Low Vibration
- Easy Access Lamp Change
- Stackable Housing
- Solid state intensity control (0-100%)
- 3-Year Warranty
- UL/C-UL, CE

Accessories & Options:

- 230V Input
- LHP-PLZ Polarizer for LH-759 Lens
- Filter Holder, with IR and Color Filter Options

Model Number

| | |
|----------------|------------------------|
| MI-150 | U.S./Canada: 115V Cord |
| MI-1501 | Europe: 230V Cord |

Option Description

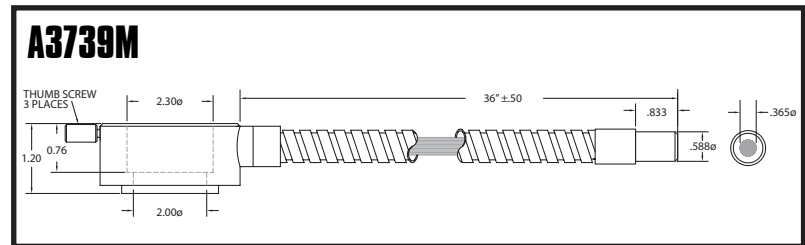
| | |
|-------------------|--|
| MI-150SG | BG2820M Standard Single Gooseneck, (1) LH759 Focusing Lens |
| MI-150SG1 | 230V Cord, BG2820M Standard Single Gooseneck, (1) LH759 Focusing Lens |
| MI-150SGF | Option SG, Plus IR Filter & Holder |
| MI-150SG1F | 230V Cord, Option SG, Plus IR Filter & Holder |
| MI-150DG | EEG2823M Standard Dual Gooseneck, (2) LH759 Focusing Lenses |
| MI-150DG1 | 230V Cord, EEG2823M Standard Dual Gooseneck, (2) LH759 Focusing Lenses |
| MI-150DGF | Option DG, Plus IR Filter & Holder |
| MI-150DG1F | 230V Cord, Option DG, Plus IR Filter & Holder |

For Full MI-150 Technical Detail, Please Refer to MI-150 Series Illuminators Page.



MI-150 Ringlight Systems

Ringlight Illumination



Standard Features:

- High Intensity at High Magnifications and Long Working Distances
- 360° Shadow-Free Illumination
- Low Noise, Low Vibration
- Easy Access Lamp Change
- Stackable Housing
- Solid state intensity control (0-100%)
- 3-Year Warranty
- UL/C-UL, CE

Accessories & Options:

- 230V Input
- Microscope-Specific, Direct Fit Adapters
- Filter Holder, with IR and Color Filter Options

| Model Number | |
|---------------|---|
| MI-150 | U.S./Canada: 115V Cord |
| MI-1501 | Europe: 230V Cord |
| Option Suffix | Description |
| MI-150RL | A3739M Standard Ringlight |
| MI-150RL1 | 230V Cord, A3739M Standard Ringlight |
| MI-150RLF | Option RL, plus IR filter & holder |
| MI-150RA | Fits Nikon SMZ Series Microscope |
| MI-150RB | 66 mm ID Universal Fit, 25° Transition |
| MI-150RC | 66 mm ID Universal Fit, Straight Transition |
| MI-150RD | Fits Olympus SZ30, -40, -50 Series Microscopes |
| MI-150RG | Fits Leica S4E, S6D/E, S8APO Microscopes |
| MI-150RU | Fits Unitron ZST, ZSB (w/o aux lens) Microscope |

For Full MI-150 Technical Detail, Please Refer to MI-150 Series Illuminators Page.

To Determine the Proper Microscope Adapter Needed for Your Application, Please Refer to Ringlight Adapters Page.

No Fiber Optic Interface Adapters Required for MI-Series

See Ring Light Section for Full Technical Detail

Dolan-Jenner

industries

Dolan-Jenner Industries Phone: 800.833.4237
 159 Swanson Rd. Fax: 978.264.0292
 Danvers, MA 01929 USA Email: support@dolan-jenner.com

Vision Light Tech B.V.

Protonenlaan 22, 5405 NE UDEN, P.O. Box 345, 5400 AH UDEN, The Netherlands

Phone: +31 (0)413 26 00 67, Fax +31 (0)413 26 09 38, E-mail: inquiry@vlt.nl, Website: www.vlt.nl

Trade register No. 17150044, VAT No. NL8112.30.946.B01