

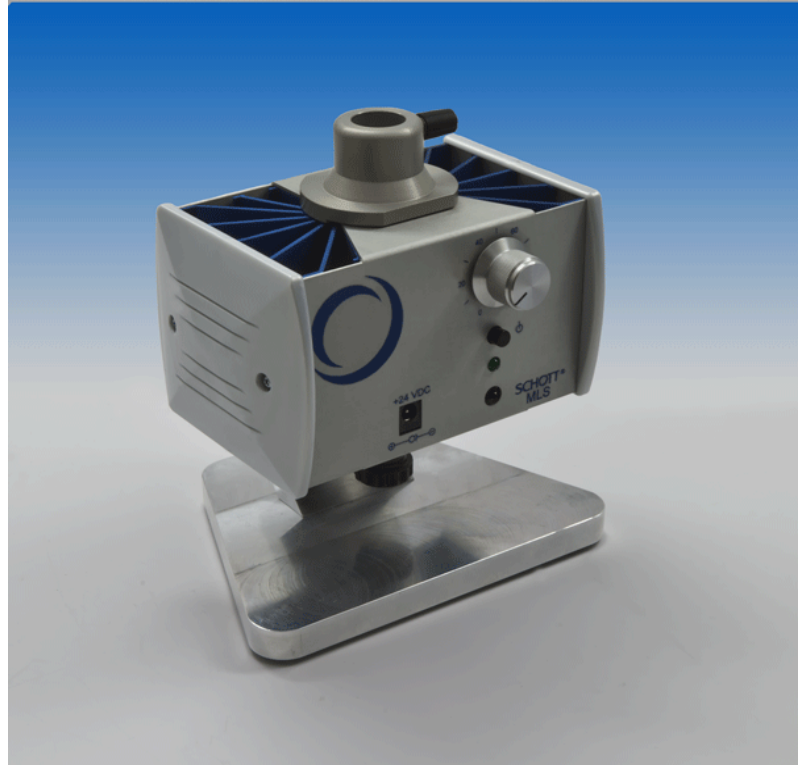
NEW!
Designed for manual
inspection applications!

MLS – Microscopy LED Light Source

Longer Life, Lower Energy Consumption, Higher Performance, Compact Design

The SCHOTT MLS offers several advantages over other types of fiber optic light sources used in microscopy & static machine vision applications, including:

- Long-life of LED light engine
- Fan-less, vibration free operation
- Fits all COLDVision light guides
- Stable light output with minimal variation in color temperature
- Low power consumption (~18 watts)
- Small footprint and world-wide, universally compatible power supply with interchangeable plugs
- Optional light On/Off control via handheld remote or footswitch. Handheld remote also controls light output intensity.
- Mounting Options (sold separately):
 - Pedestal Mount
 - Post Mounts
- Temperature monitoring for protection of the LED light engine
- RoHS Compliant & CE Approved. ESD outlet connection.



Characteristics

Dimensions	Length: 102 mm (4 in) Width: 140 mm (5.5 in) Height : 117 mm (4.6 in)
Weight	0.8 kg (1.7 lbs)
Operating Temperature	5° C (41° F) to 40° C (104° F)
Color Temperature – White & Warm White	6000 K / 3100 K
Power Consumption	~ 18 Watts

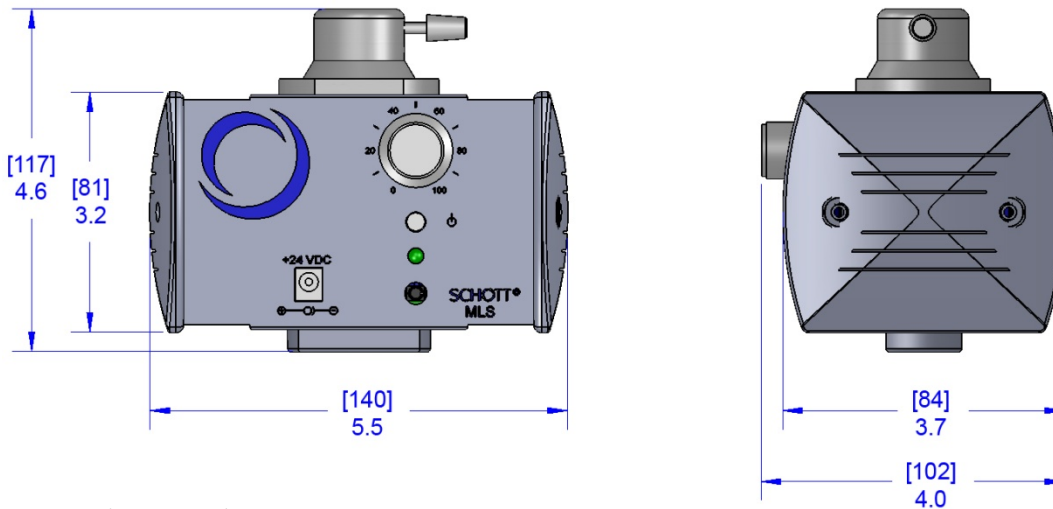
SCHOTT
glass made of ideas

SCHOTT MLS Technical Information

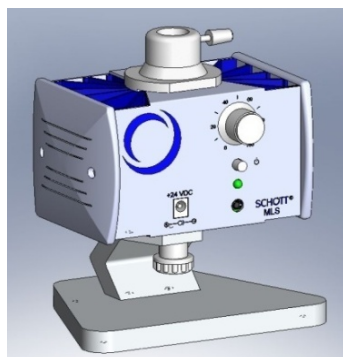
Part Number	Color	Light Output*
A20400/6000	White – 6000 K	> 360 lm
A20400/3100	Warm White – 3100 K	> 270 lm
A20410	Handheld Remote (On/Off, pulse, intensity control)	
A20411	Remote Footswitch (On/Off)	
A20420	Pedestal Mount	

*Light output specifications are measured with a 1 m long, 13 mm diameter bundle (A08051.40 bundle).
The light output specification is the typical output and actual output may vary.

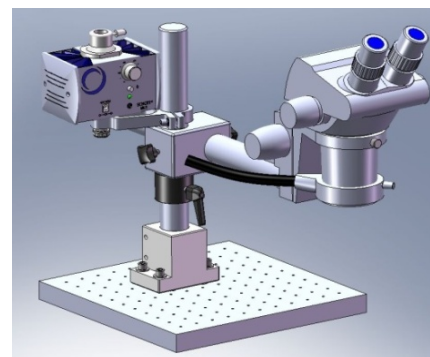
Dimensions in inches and [mm]



Mounting Options



Pedestal Mount



Adapter & KL200 LED Boom Stand Bracket

For more information please contact:

SCHOTT North America, Inc.
6862 Santa Teresa Blvd.
San Jose, CA 95119
U.S.A.

Phone: +1-408-363-2100
Toll Free: +1-877-261-2100
Fax: +1-408-363-9980
machine.vision@us.schott.com
www.schott.com/lightingimaging

All specifications are subject to change without prior notice. This datasheet or any extracts thereof may only be used in other publications with express permission of SCHOTT or MORITEX.

© SCHOTT North America, Inc. 2012

SCHOTT
glass made of ideas