



MetaLight™ Half Circle Off-Axis Ring

Model#: OARL101-SC2

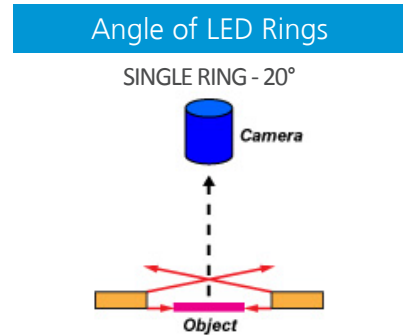


- Horizontal Plane of Light
- Useful for Highlighting Surface Defects
- Illuminates Specular Surfaces
- Configurable for Wavelength
- Half-Circle allows for greater control
- Useful for stationary item inspection

Part #	Color	Power Supply	Specifications:
OARL101-SC2-W-24	White 5500K	24 volt power supply available upon request.	Current Consumption 0.15A
OARL101-SC2-R-24	Red 630nm		Housing Aluminum
OARL101-SC2-B-24	Blue 455nm		Finish Black Anodized
OARL101-SC2-G-24	Green 530nm		Intensity Uniformity +/-5%
OARL101-SC2-IRN-24	Infrared 850nm		Operating Temperature 120° F Max
OARL101-SC2-IRL-24	Infrared 880nm		Compliance CE/RoHS
OARL101-SC2-UVL-24	UV 395nm		Lifetime Hours 75,000 Hours
OARL101-SC2-UVS-24	UV 365nm		

10 ft. flying leads come standard on all products.
Light features built-in constant current driver.
No expensive controller required.

Active Area	Dimensions
Ø1in Aperture	L: 3in / 76.2mm
Ø25.4mm Aperture	W: 3in / 76.2mm
	H: 0.56in / 15.39mm



ORDERING INFORMATION:

• O A R L 1 0 1 - S C 2	-	<input type="checkbox"/>	- 2 4 -	<input type="checkbox"/>	
		W	White 5500k	*BLANK	10 ft. Flying Leads
		R	Red 630nm	T	M12 Quick Disconnect
		G	Green 530nm	ILD	In Line Dimmer
		B	Blue 455 nm	ILS	In Line Strobe (customer provide trigger info)
		IRL	Infrared 880nm		
		UVL	(long) 395nm		
		UVS	(short) 365nm		

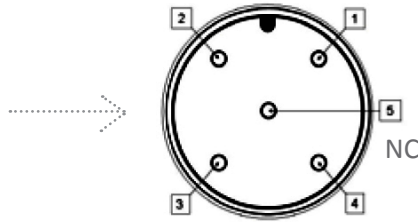


MetaLight™ Half Circle Off-Axis Ring

Model#: OARL101-SC2

M12 Connector

PIN #	Function
1	+24VDC
2	0-10VDC Intensity Control
3	Ground
4	Signal Ground

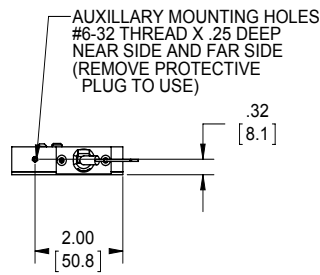
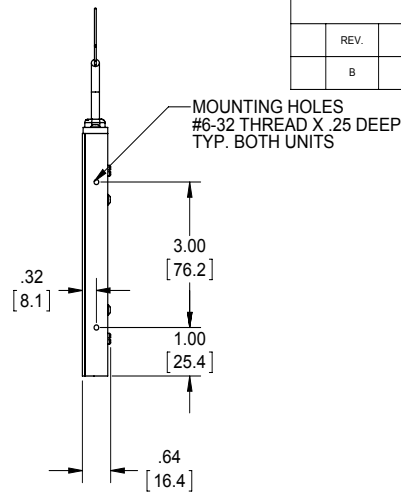
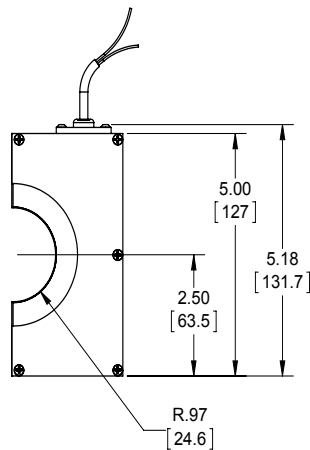


Wiring Diagram

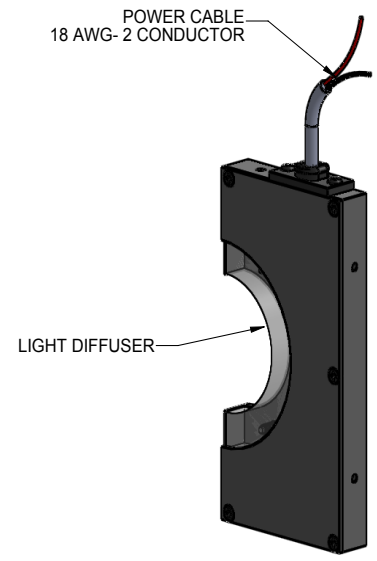
Flying Leads	Function
RED	+24VDC
BLACK	Ground
WHITE	+24VDC
GREEN	Ground

24 AWG 4 WIRES CABLE X 1
When not using intensity control, connect 0-10V control line to +24 (Max Intensity Control = 25V) and intensity control ground to ground

Drawing/Diagram



REVISIONS			
REV.	DESCRIPTION	DATE	APPROVED
B	Modeled only 1 light	09/26/12	KLH



BOTTOM VIEW

Metaphase Technologies, Inc. 3412 Progress Drive, Unit C, Bensalem, PA. 19020 215-639-8699 Fax 215-639-0977		
QUANTITY: Per order	TOLERANCE/FINISH UNLESS OTHERWISE SPECIFIED	THIS DOCUMENT IS THE PROPERTY OF METAPHASE TECHNOLOGIES, INC. WHOM MAY LOAN IT. SUBJECT TO RETURN UPON DEMAND. IT INCLUDES CONFIDENTIAL & PROPRIETARY INFORMATION WHICH MAY NOT BE DISCLOSED TO ANY THIRD PARTY, AND/OR USED FOR ANY PURPOSE CONTRARY TO ITS INTENDED USE. WITHOUT THE EXPRESSED PRIOR WRITTEN CONSENT OF METAPHASE TECHNOLOGIES, INC.
MATERIAL: See BOM	INCHES(MM) 125√RMS [RA3.2um]	
FINISH: As supplied	X ±.030 ±.010 ±.005 ANGLES±1° X [±.76] [±.25] [±.13]	
TITLE: Top Assy.; Ring Light		USED ON: Next Assy.
DRAWING NUMBER: B...OARI.101-SC2-1		REV: B