

Analog Controller PB-2430-1

Refer to our website for product details.

CCS PB-2430-1

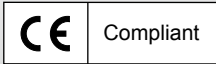
Search



You can also use your smartphone or cell phone.

Use a search engine.

Low-price DC Input Controller contributing to cost reductions



Characteristics

- 24 VDC input
- 24 V/24 W rating
- 1-channel specification
- DIN rail installation
- Intensity control with variable voltage
- Lightweight, compact design

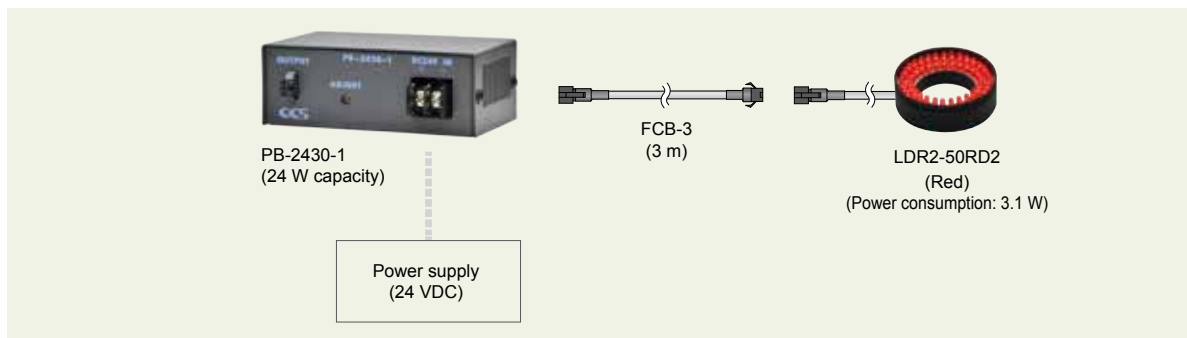


Example system configuration

Example:

Controller — Extension cables — LED Light

Power supply (24 VDC)



We have various materials.

- PDF Drawings
- DXF Drawings
- 3D CAD
- Instruction Guides
- Product Filters
- Imaging Samples
- Data Sheets
- Examples of Custom Ordered Products

Download here.
<http://www.ccs-grp.com/dl/>

Control Units

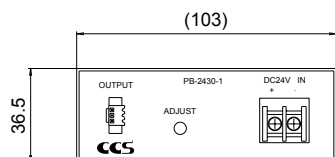
- PD3 series
- PD2 series
- STU-3000
- PSB series
- PTU2 series
- PB-2430-1
- CC-ST-1024
- BB series
- PJ series
- CC-PJ-0707
- PSCC series
- PSB3-30024
- Lens Filters
- Diffusion Plates
- Polarization Plates
- Light Control Films
- Brackets
- Other
- Extension Cables

Options

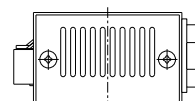
Specifications

Model	PB-2430-1
Lighting method	Constant lighting
Drive method	Constant-voltage system
Light control method	Variable voltage control
No. of channels	One channel
Applicable illumination (rating)	24 V 24 W
Over current protection	Built in (input section, with poly-switch), 5.0 A, 20°C during continuous operation
Input voltage (rating)	24 VDC
Input voltage (range)	21.6 to 26.4 VDC
Power consumption (typ.)	30 W
Output voltage (range)	15.0 to 23.0 VDC (±10%) (for 24 VDC input)
Insulation resistance, dielectric strength (Input/output - housing)	50 VDC, 20 MΩ min. 250 VAC for one minute 1 mA cutoff current
Operating temperature and humidity	Temperature: 0 to 40°C, Humidity: 20 to 85% RH (No condensation)
Storage temperature and humidity	Temperature: -20 to 60°C, Humidity: 20 to 85% RH (No condensation)
Cooling method	Natural air cooling
CE marking	EMC standard: Complies with EN61000-6-2, EN61000-6-4
Environmental regulation	RoHS compliant
Input connector	Input terminal block, use M3 screws with 7.62 mm pitch
Output connector	SMP-03V-BC (JST)
Material, coating, surface processing	Steel plate, Thickness: 1.0, N3, Matt finish
Weight	270 g

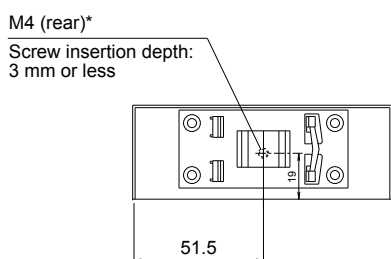
Dimensions (mm)



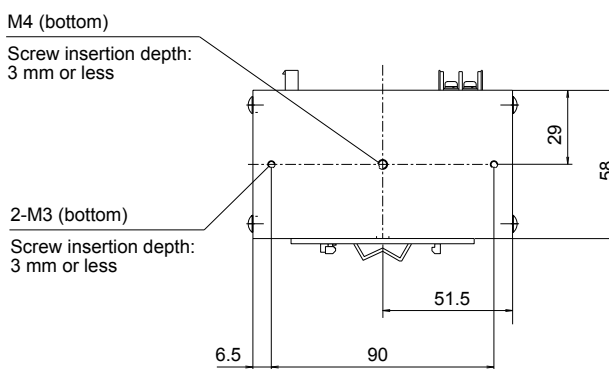
Front



Side



Rear



Bottom

* Remove the DIN rail bracket to find the hole.