

Spot Light Dedicated PJ series

Refer to our website for product details.

CCS PJ

Search



You can also use your smartphone or cell phone.

Use a search engine.

Four types to match your use environment

AC Input Types



PJ-1505-2CA
2 channels



PJ-1505-3CA
3 channels

24 VDC Input Types



PJ-1505-2CD24
2 channels



PJ-1505-3CD24
3 channels

CE Compliant model(s)
PJ-1505-2CA/PJ-1505-3CA/PJ-1505-2CD24/PJ-1505-3CD24

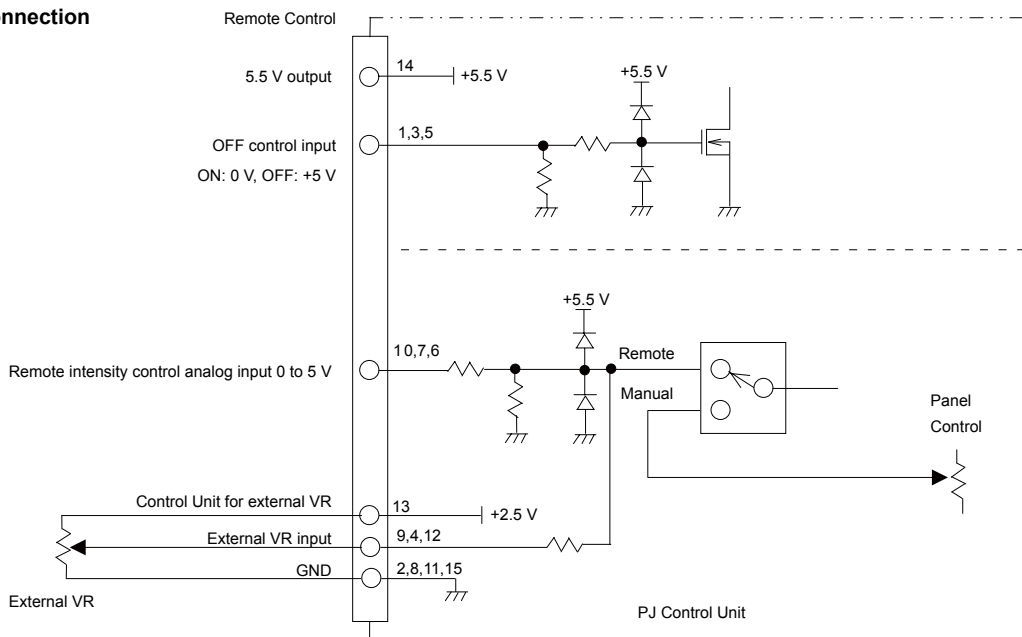
The supplied AC cord is for use with 100 to 120 VAC.
CCS recommends using the following with 200 to 240 VAC.
Cable: GTCE-3 x 1.0 mm² (Kawasaki Electric Wire)
Connector: KS-31AY (Kawasaki Electric Wire)

Characteristics

- Dedicated Analog Control Units for the Spot Light HLV2 series. (Spot Light HLV2 series Product Page ▶ P. 111)
- Stepless intensity control is performed by varying the current.
- There are 2 and 3-channel Light Unit output types.
- You can select AC or DC power supply types.

Example connection * Refer to the "Instruction Guide" for details.

PJ series Example connection



* Remote intensity control or external VR can be used. (Cannot be used at same time.)

We have various materials.

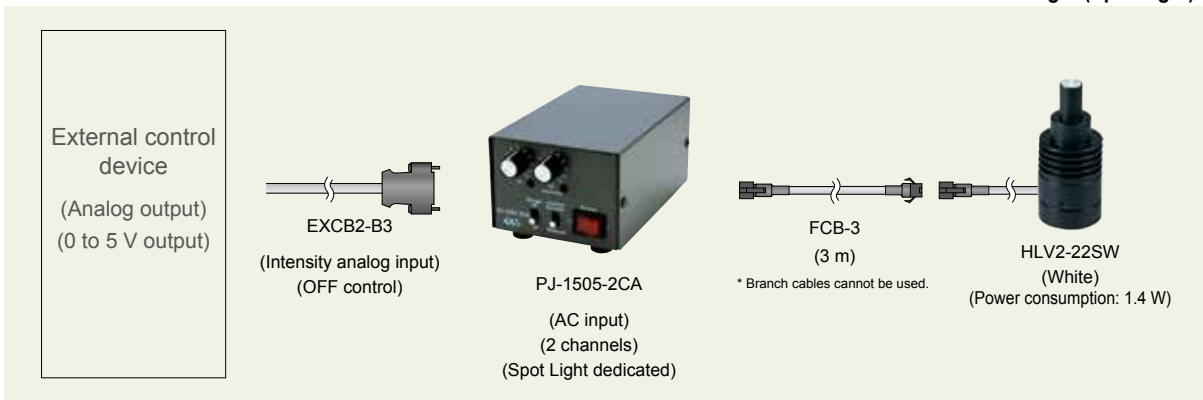
- PDF Drawings
- DXF Drawings
- 3D CAD
- Instruction Guides
- Product Filers
- Imaging Samples
- Data Sheets
- Examples of Custom Ordered Products

Download here.
<http://www.ccs-grp.com/dl/>

Example system configuration

Example:

External control device — External control cable — Control Unit — Extension cables — LED Light (Spot Light)



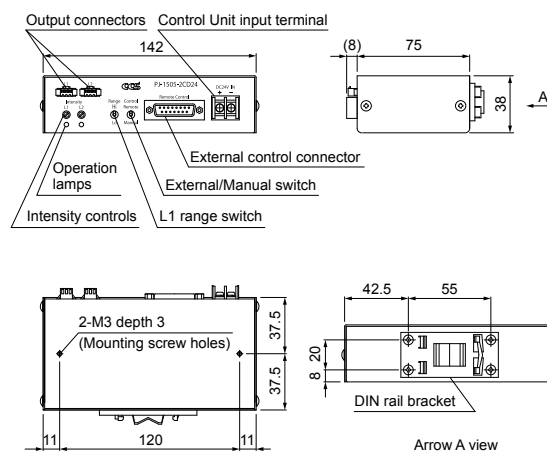
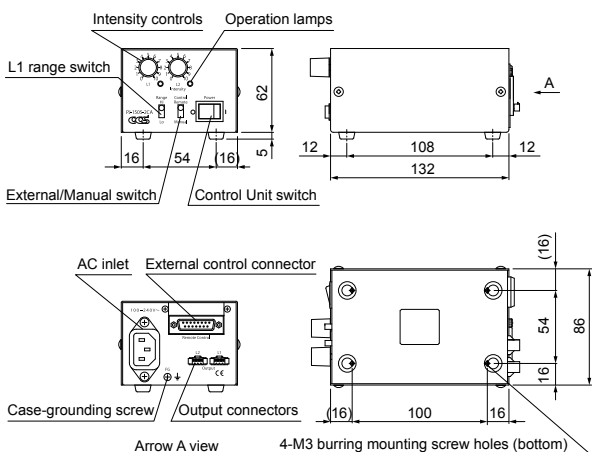
Specifications

Model name	PJ-1505-2CA	PJ-1505-3CA	PJ-1505-2CD24	PJ-1505-3CD24
Input voltage (rated)	100 to 240 VAC		24 VDC	
Input voltage (range)	85 to 264 VAC		10 to 24 VDC	
Power consumption	27 VA typ.	37 VA typ.	10 W typ.	14.5 W typ.
No. of channels	2	3	2	3
Output voltage (max. rating)	5.5 VDC			
Intensity	Manual: Intensity control on front of unit Remote: Analog input voltage of 0 to 5 V (5.25 V max.)			
ON/OFF control	OFF: 2.5 to 5.0 V (24 V max.), ON: 0.8 to 0 V (pull-down with 4.7 kΩ resistance)			
External control connector	D-sub 15-pin (plug) *Optional external control cable: EXCB2-B3 (3 m)			
Weight	640 g	660 g	380 g	
Accessories	AC cord with ground wire (2 m), Instruction Guide x 1		Rubber feet x 4, Instruction Guide x 1	

Dimensions (mm)

PJ-1505-2CA (PJ-1505-3CA is also the same size.)

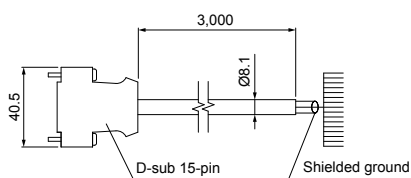
PJ-1505-2CD24 (PJ-1505-3CD24 is also the same size.)



Options

External control cable

EXCB2-B3 (3 m)



No.	Line color	No.	Line color
1	Black	9	Gray
2	White	10	Pink
3	Red	11	White/Black
4	Green	12	Red/Black
5	Yellow	13	Green/Black
6	Brown	14	Yellow/Black
7	Blue	15	Brown/Black
8	Purple	NC	(Blue/Black)

Dimensions (mm)

You can inquire using our website.

Requests for Light Unit Selection

Requests for Loan Products

Requests for Estimates

Requests for a Catalog

Product Inquiries

Other Inquiries

Inquire on our website here.
<http://www.ccs-grp.com/contact/>