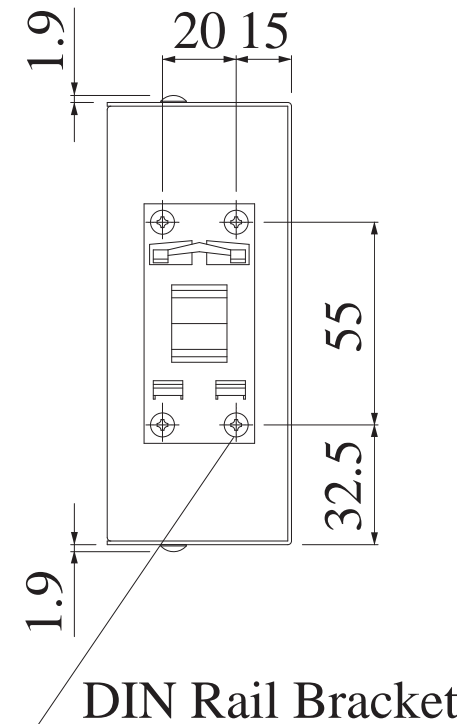
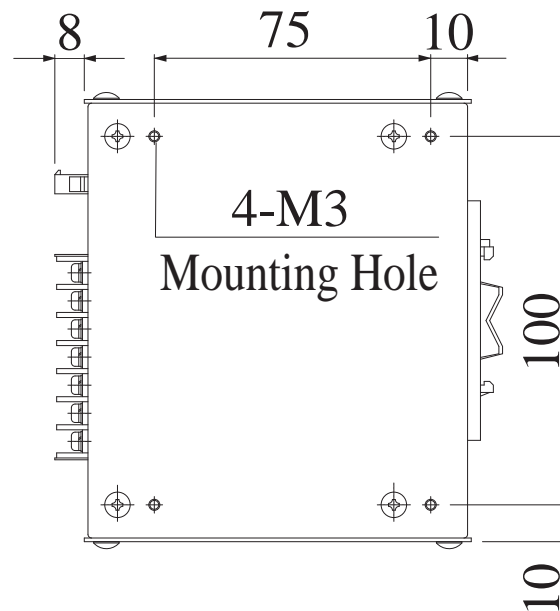
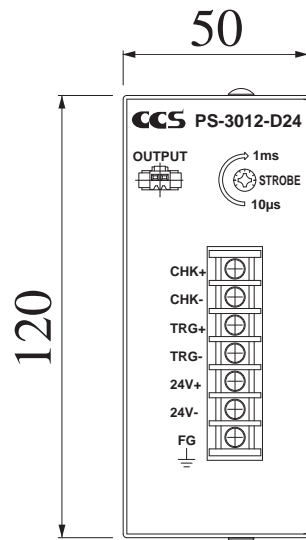


# PS-3012-D24

Model	PS-3012-D24
Input *	24V DC $\pm 10\%$ , 20W minimum.(average.)
Power Consumption	Strobe output, 18VDC, 8A max. (The peak value of using 30W of load.)
Mass	Approx. 500g
Output Connector	SMP-02V-BC [JST] (Pin 1: + Pin 2: -)

Third Angle Projection Units: mm



Max Screw Insertion 2mm



Protonenlaan 22, 5405 NE UDEN, The Netherlands  
Tel: +31 (0) 413-260067 Fax: +31 (0) 413-260938 E-mail: info@vlt.nl Internet: www.vlt.nl