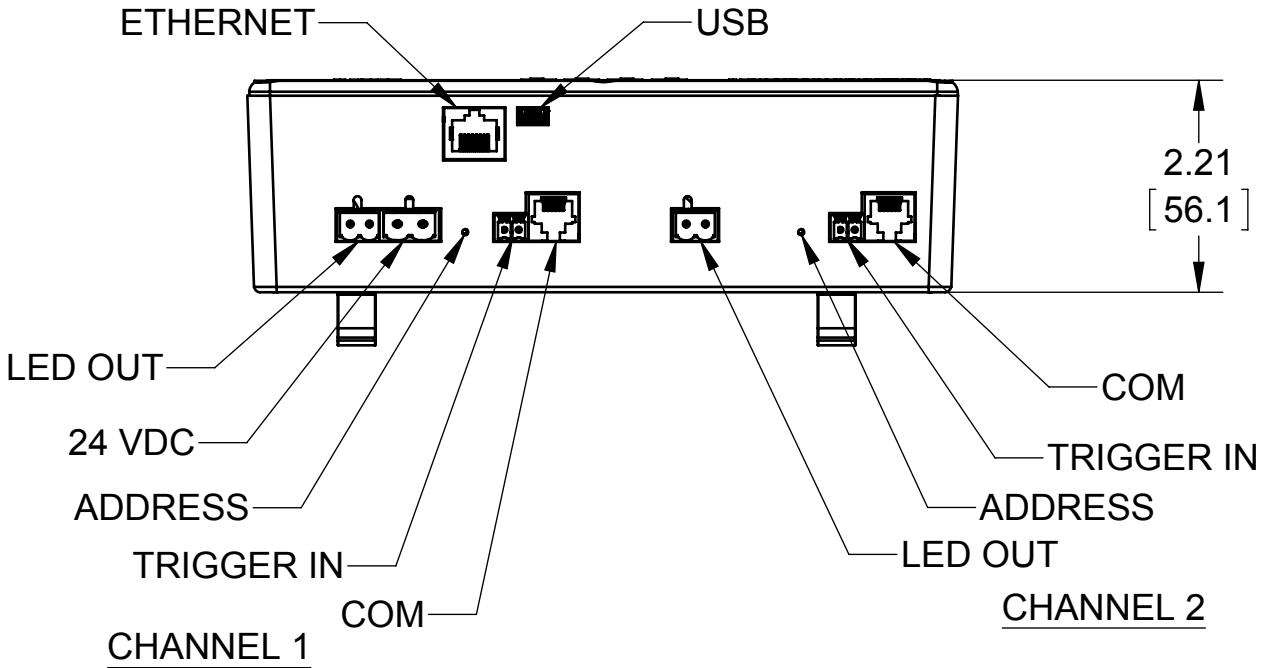
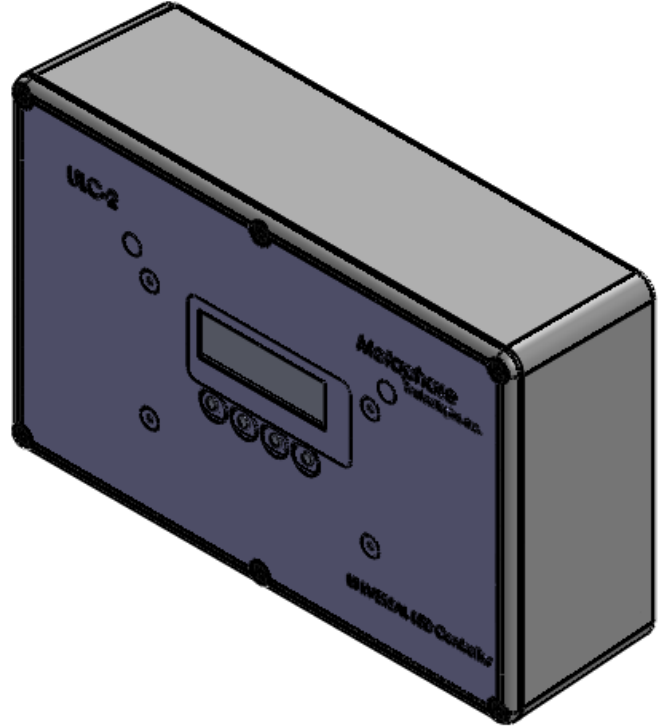
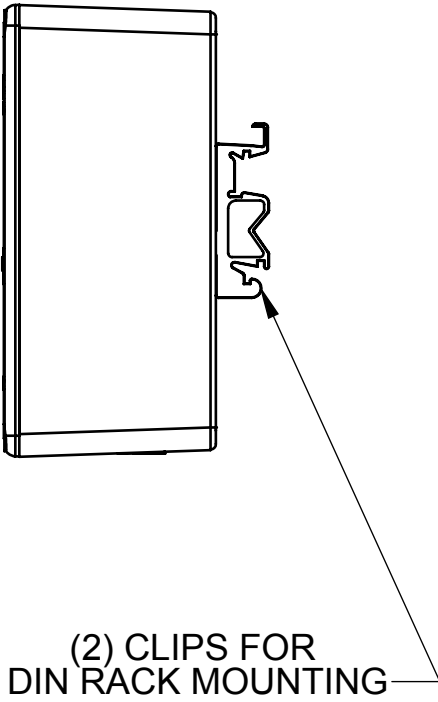
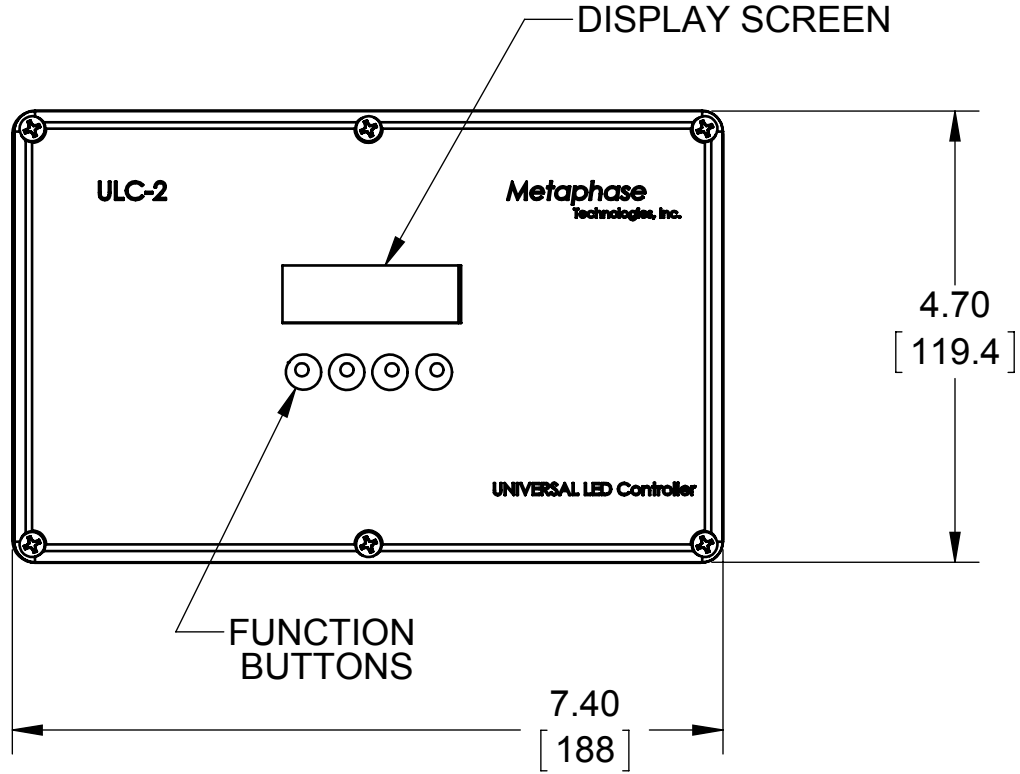


REVISIONS			
REV.	DESCRIPTION	DATE	APPROVED



Metaphase Technologies, Inc. 3412 Progress Drive, Unit C, Bensalem, PA. 19020 215-639-8699 Fax 215-639-0977

QUANTITY: <u>Per order</u>
MATERIAL: <u>Per BOM</u>
FINISH: <u>As supplied</u>
TREATMENT: <u>N/A</u>

TOLERANCE/FINISH UNLESS OTHERWISE SPECIFIED			
INCHES[MM]			
X	.X	.XX	.XXX
[±.76]	[±.030 [+.25]	[±.010 [+.13]	±.005
ANGLES ±1°			

THIS DOCUMENT IS THE PROPERTY OF **METAPHASE TECHNOLOGIES, INC.** WHOM MAY LOAN IT, SUBJECT TO RETURN UPON DEMAND. IT INCLUDES CONFIDENTIAL & PROPRIETARY INFORMATION WHICH MAY NOT BE DISCLOSED TO ANY THIRD PARTY, AND/ OR USED FOR ANY PURPOSE CONTRARY TO IT'S INTENDED USE, WITHOUT THE EXPRESSED PRIOR WRITTEN CONSENT OF **METAPHASE TECHNOLOGIES, INC.**



TITLE UNIVERSAL CONTROLLER		
USED ON Customer equipment		
SIZE B	DRAWING NUMBER ULC2-1	REV A
SCALE 1:2		SHEET 1 OF 2

John T. Hill
Approval Signature

10/22/2012
Date