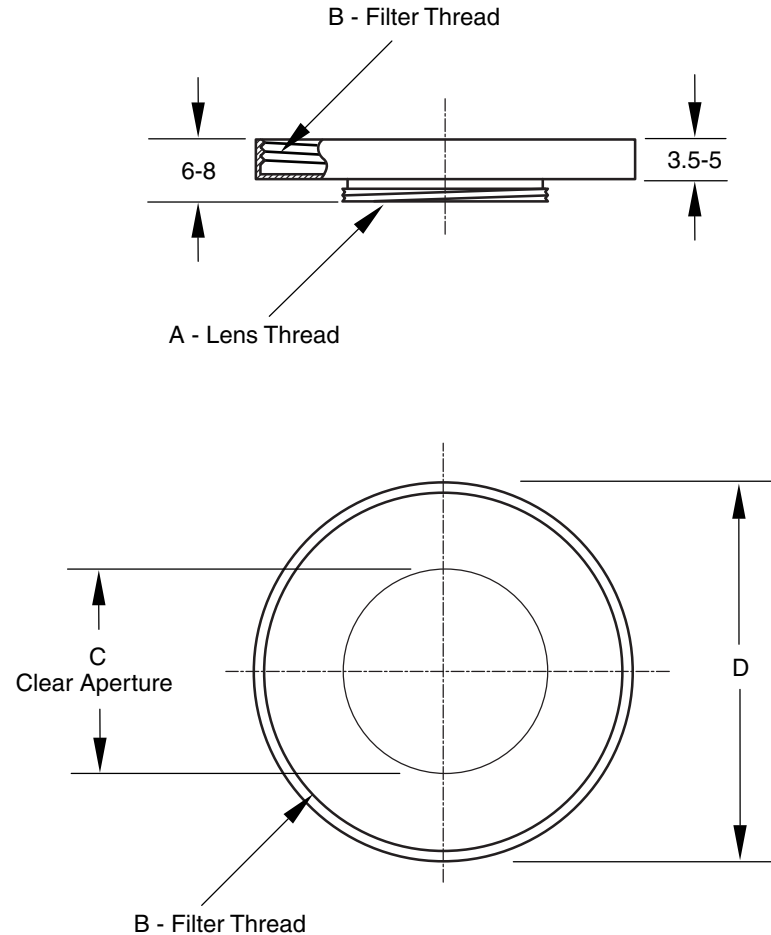


NOTES: 1. Material is silver or black anodized aluminum.  
2. Not to scale. Dimensions in mm  $\pm 0.3$ mm.

Step-up #	A LENS THREAD	B FILTER THREAD	C CLEAR APERTURE	D OUTER DIAMETER
SU25.5-27	M25.5 x P0.5	M27 x P0.5	21	28.5
SU25.5-30.5	M25.5 x P0.5	M30.5 x P0.5	22.5	32
SU25.5-46	M25.5 x P0.5	M46 x P0.75	22.5	48
SU27-30.5	M27 x P0.5	M30.5 x P0.5	23	32
SU27-37	M27 x P0.5	M37 x P0.75	24	39
SU27-40.5	M27 x P0.5	M40.5 x P0.5	24.5	42
SU27-46	M27 x P0.5	M46 x P0.75	24	48
SU28-37	M28 x P0.75	M37 x P0.75	25.8	39
SU30.5-34	M30.5 x P0.5	M34 x P0.5	27.5	36
SU30.5-46	M30.5 x P0.5	M46 x P0.75	27.5	48
SU34-46	M34 x P0.5	M46 x P0.75	31	48
SU35.5-37	M35.5 x P0.5	M37 x P0.75	32.5	39
SU37-46	M37 x P0.75	M46 x P0.75	33.2	48.5
SU37-49	M37 x P0.75	M49 x P0.75	33.2	31.5
SU37.5-46	M37.5 x P0.5	M46 x P0.75	34.5	48
SU39-46	M39 x P0.5	M46 x P0.75	36.5	48
SU39.5-43.5	M39.5 x P0.5	M43.5 x P0.75	37	46
SU40.5-46	M40.5 x P0.5	M46 x P0.75	37.5	48
SU43-46	M43 x P0.75	M46 x P0.75	40	48
SU46-49	M46 x P0.75	M49 x P0.75	43.5	51
SU46-52	M46 x P0.75	M52 x P0.75	43.5	55
SU46-55	M46 x P0.75	M55 x P0.75	43.5	57
SU46-58	M46 x P0.75	M58 x P0.75	43.5	60
SU49-52	M49 x P0.75	M52 x P0.75	46	54
SU49-58	M49 x P0.75	M58 x P0.75	46	60
SU52-58	M52 x P0.75	M58 x P0.75	49	60
SU52-67	M52 x P0.75	M67 x P0.75	49	70
SU55-58	M55 x P0.75	M58 x P0.75	52	60
SU55-62	M55 x P0.75	M62 x P0.75	51	64
SU58-62	M58 x P0.75	M62 x P0.75	55	64
SU62-67	M62 x P0.75	M67 x P0.75	60	70
SU62-72	M62 x P0.75	M72 x P0.75	59	74.5
SU62-77	M62 x P0.75	M77 x P0.75	57	79
SU62-82	M62 x P0.75	M82 x P0.75	59	84
SU77-95	M77 x P0.75	M95 x P1	74	98
SU77-105	M77 x P0.75	M105 x P1	74	108



**MIDOPT**

Midwest Optical Systems, Inc.

Machine Vision Filters, Lenses and Accessories

322 Woodwork Lane, Palatine IL 60067

P: 847-359-3550 F: 847-359-3567

www.midopt.com

**Step-up Ring**

Part No.: SUXX-XX

(Example: SU25.5-46 for

46mm filter to a M25.5 x P0.5 lens)

October 22, 2010