



**For FA/Machine Vision
3CCD Camera**

TF4DA-8

Applicable camera (model)

1	2/3	1/2	1/3	1/4

FIXED
Fixed Focal

3CCD
For 3CCD
Camera

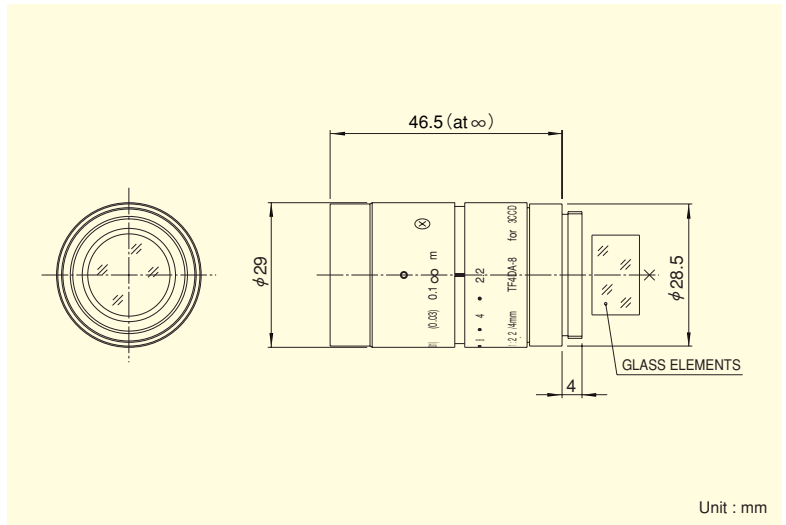
MANUAL
Manual Iris

C-mt
C Mount

METAL
Metal Mount



- Special design for optimizing the image quality of 3CCD cameras.
- Low-distortion design achieving accurate image input.
- Compact, lightweight and robust design, supporting various systems.
- Faithful color reproduction for 3CCD cameras, best suited for advanced monitoring applications.



Unit : mm

Focal Length (mm)		4
Iris Range		F2.2 ~ F16 • Close
Operation	Focus	Manual
	Iris	Manual
Angle Of View (H×V)	1/3"	61°56' × 48°27'
Focusing Range (From Front Of The Lens) (m)		∞ ~ 0.1
Object Dimensions at M.O.D. (H×V) (mm)	1/3"	131 × 98
Back Focal Distance (in air) (mm)		14.61
Exit Pupil Position (From Image Plane) (mm)		88
Filter Thread (mm)		M27 × 0.5
Mount		C
Mass (g)		70
Remarks	•With Metal Mount	

3CCD CAMERA LENSES