

# MetaBright™ Adjustable Focus Mini-Spot Light

Model#: MB-AFSL105



- ENVIRONMENTALLY FRIENDLY
- ECONOMICAL
- THERMAL MANAGEMENT TECHNOLOGY
- CAST ROUND SPOT AT NICKEL DIAMETER
- FOCUSABLE 4" TO 7" AWAY
- TIGHT BEAM
- BUILT IN 24V DRIVER
- 3 LENS RELAY WITH COATED OPTICS

Active Area	Dimensions
$\varnothing$ 0.97in $\varnothing$ 9.32mm	L: 2.42in / 61mm W/H: $\varnothing$ 2.28 / 32.44mm

### Specifications:

Current Consumption	0.5A @ 24VDC
Finish	Black Anodized
Color Temperature	6600K
Weight	0.5lbs / 226g
Operating Temperature	-30°C - +60°C
Illuminance	18,000 Lux
Compliance	CE/RoHS/IP67/NEMA 4x
Lifetime Hours	75,000 Hours

### Contact Us:

Contact your Metaphase Technologies Representative for options including: Filter Options, Power Options, & Wavelength.

### ORDERING INFORMATION:

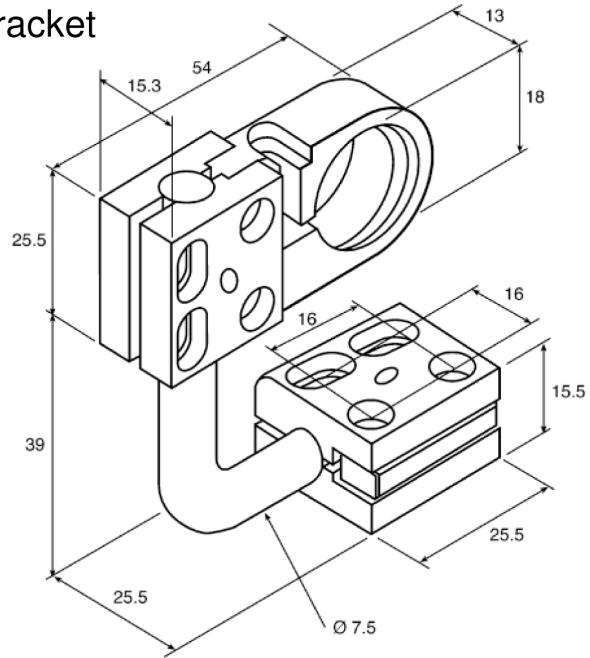
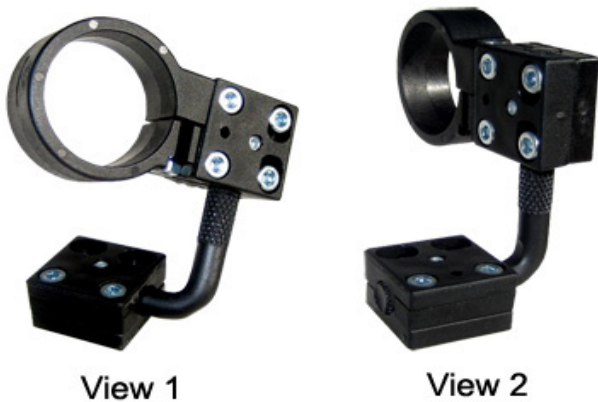
• MB - A F S L 1 0 5 -	<input type="checkbox"/>	- 2 4 -
<b>W</b>		White 6000k
<b>R</b>		Red 630nm
<b>B</b>		Blue 455nm
<b>G</b>		Green 530nm
<b>IR</b>		Infrared 850nm
<b>UVL</b>		UV Long 395nm
<b>UVS</b>		UV Short 365nm

# MetaBright™ Adjustable Focus Mini-Spot Light

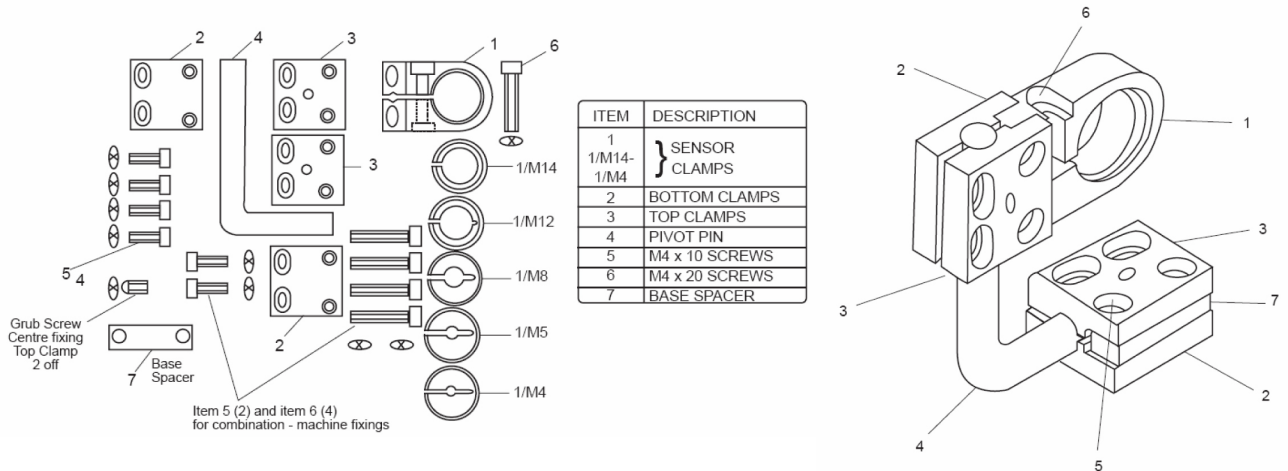
Model#: MB-AFSL105

## MetaBright™ Sensor Bracket

### Accessory Data Sheet



**PART#: MBSB-30: For MBAFSL & LED Engine - 30mm Diameter Clamping Ring**



#### Materials specification:

All Plastic parts: Nylon 66  
 All bolts and nuts: Zinc plates mild steel  
 'L' shaped pin: Zinc plated mild steel



# MetaBright™ Adjustable Focus Mini Spot-Light

Model#: MB-AFSL105

## 24VDC Operation

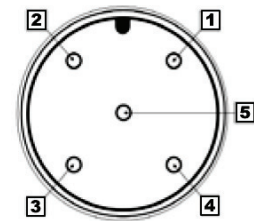
Flying Leads	Function
RED	+24VDC
BLACK	Ground
WHITE	+24VDC
GREEN	Ground

## 0-10V Dimming Control Only

Flying Leads	Function
RED	+24VDC
BLACK	Ground
WHITE	0~10V
GREEN	Signal Ground

## M12 Connector

PIN #	Function
1	+24VDC
2	0-10VDC Intensity Control
3	Ground
4	Signal Ground



## Drawing/Diagram

