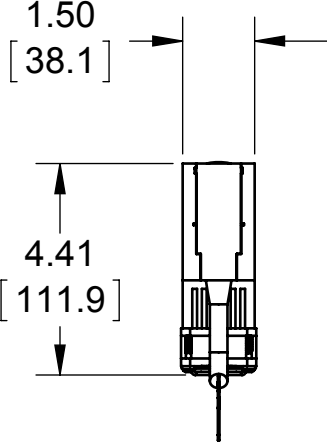
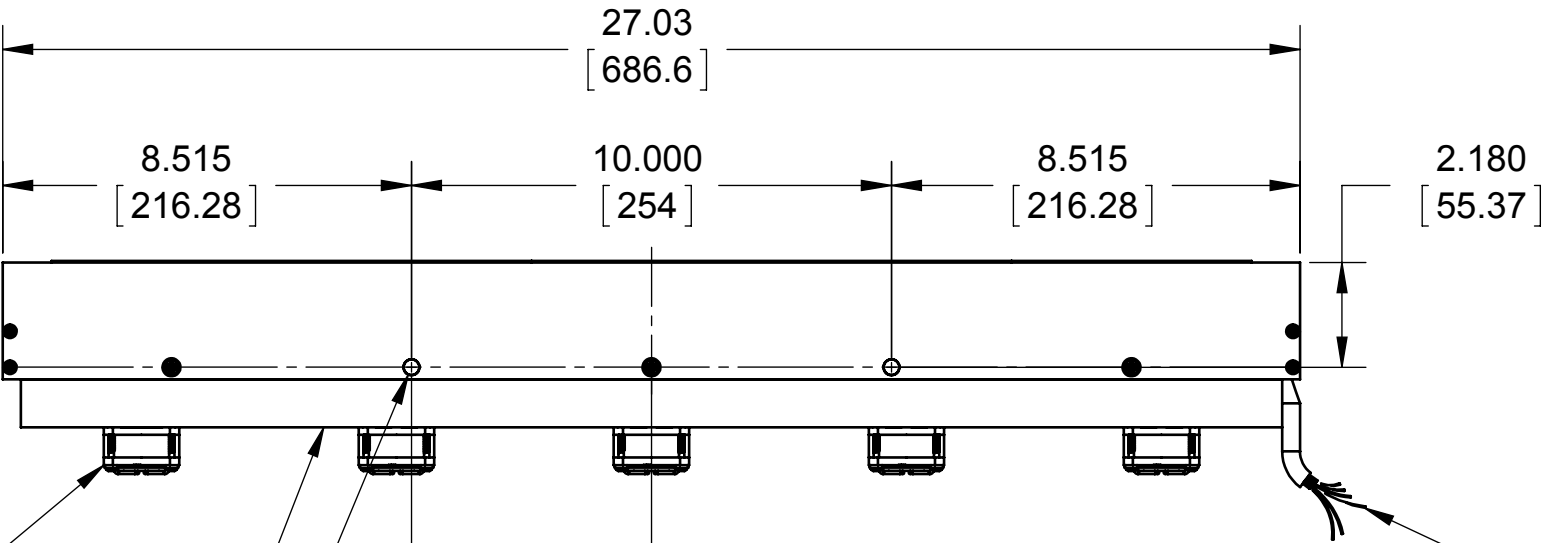
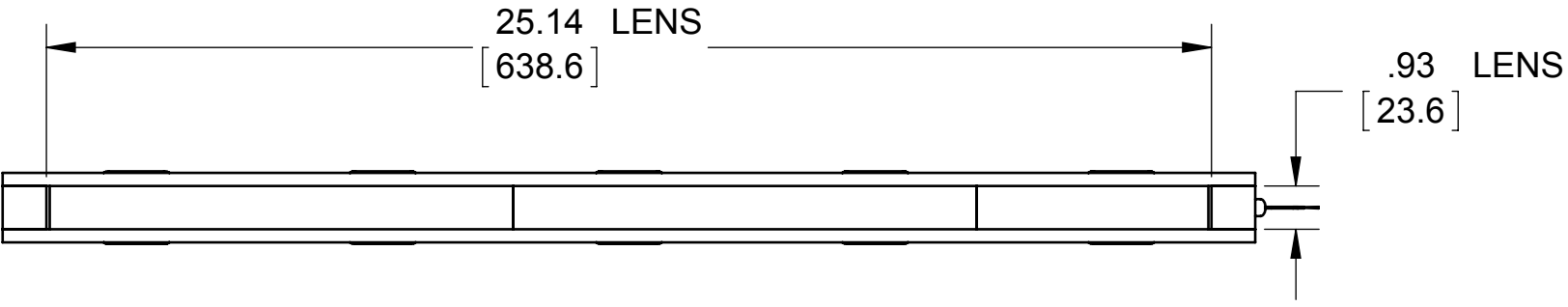


REVISIONS			
REV.	DESCRIPTION	DATE	APPROVED



(5) COOLING FAN HEAT SINK
 2X ϕ .332 [8.43] THRU ALL MOUNTING HOLES
 5.000 [127] TYP.
 POWER CABLE 16 AWG Stranded; 6 conductor w/ flying leadwire ends; 10' Lg.

Metaphase Technologies, Inc. Suite 100, Bristol, PA 19007 215-639-8699 Fax 215-639-0977

QUANTITY: Per order	TOLERANCE/FINISH UNLESS OTHERWISE SPECIFIED <table border="1"> <tr> <th colspan="4">INCHES[MM]</th> </tr> <tr> <td>X</td> <td>.X</td> <td>.XX</td> <td>.XXX</td> </tr> <tr> <td>[±.76]</td> <td>[±.030 [+.25]</td> <td>[±.010 [+.13]</td> <td>[±.005</td> </tr> <tr> <td colspan="4">ANGLES±1°</td> </tr> </table>	INCHES[MM]				X	.X	.XX	.XXX	[±.76]	[±.030 [+.25]	[±.010 [+.13]	[±.005	ANGLES±1°			
INCHES[MM]																	
X		.X	.XX	.XXX													
[±.76]		[±.030 [+.25]	[±.010 [+.13]	[±.005													
ANGLES±1°																	
MATERIAL: Per BOM																	
FINISH: Black Anodize																	
TREATMENT: N/																	

THIS DOCUMENT IS THE PROPERTY OF A9H5D<5G9'H97<BC@; 9GZ-B7" WHO MAY LOAN IT, SUBJECT TO RETURN UPON DEMAND. IT INCLUDES CONFIDENTIAL & PROPRIETARY INFORMATION WHICH MAY NOT BE DISCLOSED TO ANY THIRD PARTY, AND/ OR USED FOR ANY PURPOSE CONTRARY TO ITS INTENDED USE, WITHOUT THE EXPRESSED PRIOR WRITTEN CONSENT OF A9H5D<5G9'H97<BC@; 9GZ-B7"

Metaphase
 LED Lighting for Machine Vision & Specialty Markets

H#09
Top Assembly- 25" Col. Line Light

I G98'CB
 Per customer

G#N9 6	8F5K-B; 'BI A 69F MB-CLL606-1	F 9J A
------------------	---	------------------

SCALE 1:4 SHEET 1 OF 2

APPROVED
 By Kevin High at 1:42 pm, Jul 29, 2013