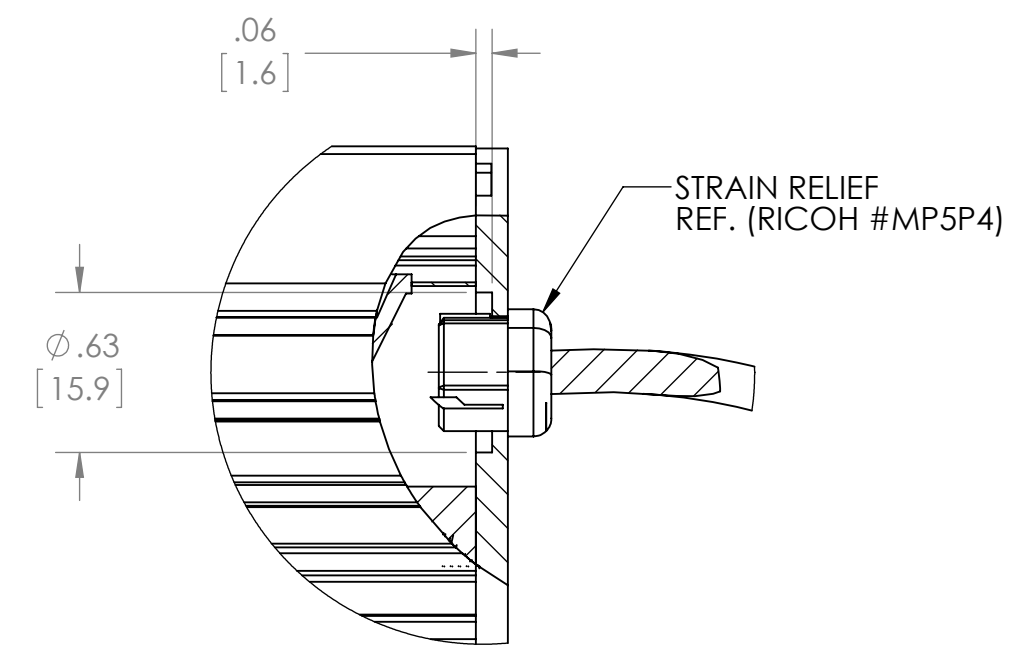
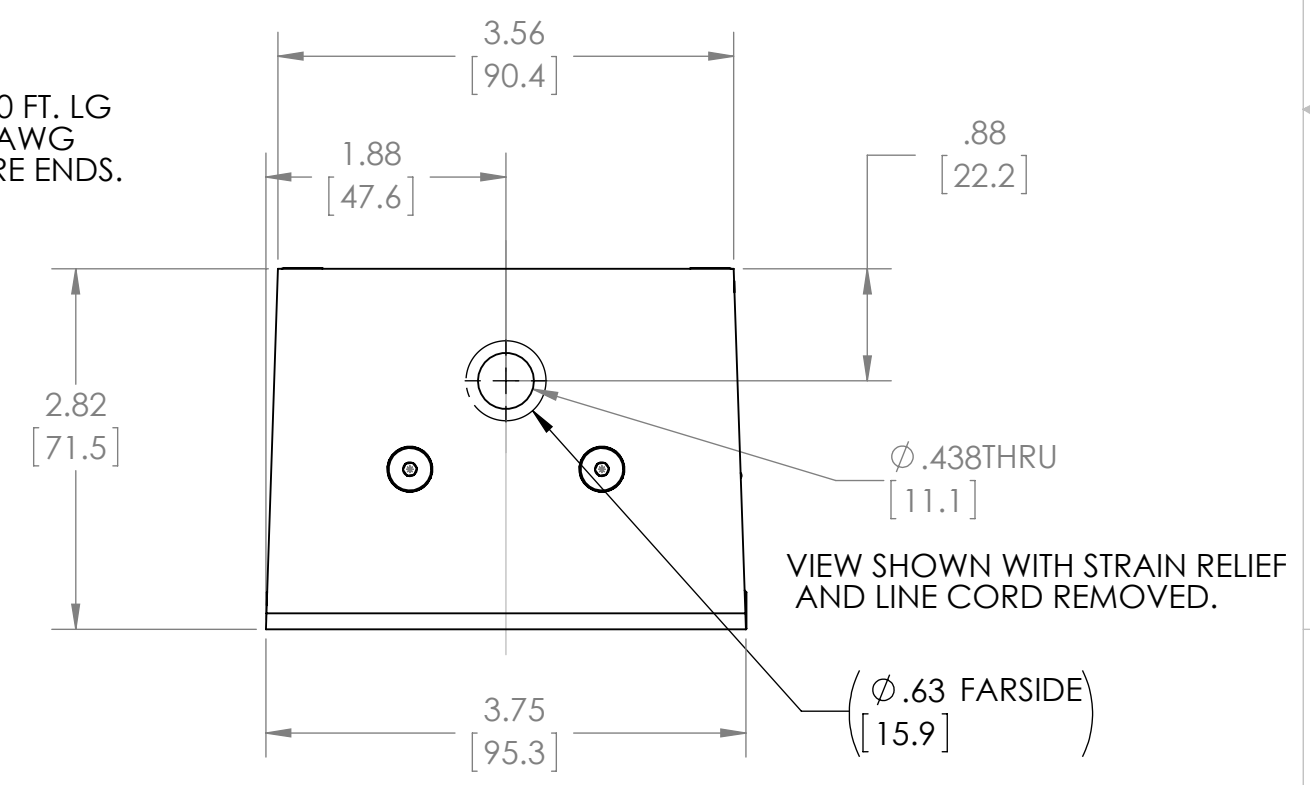
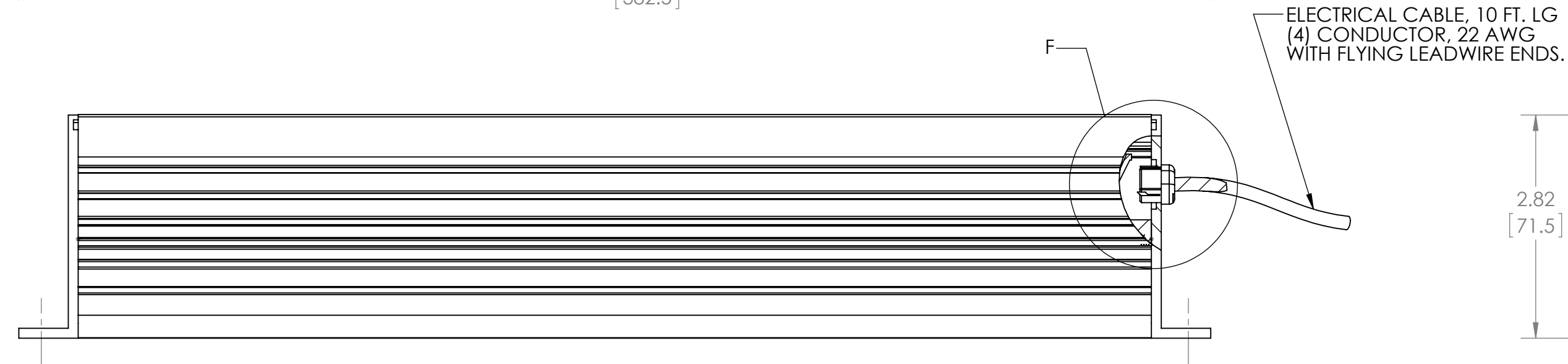
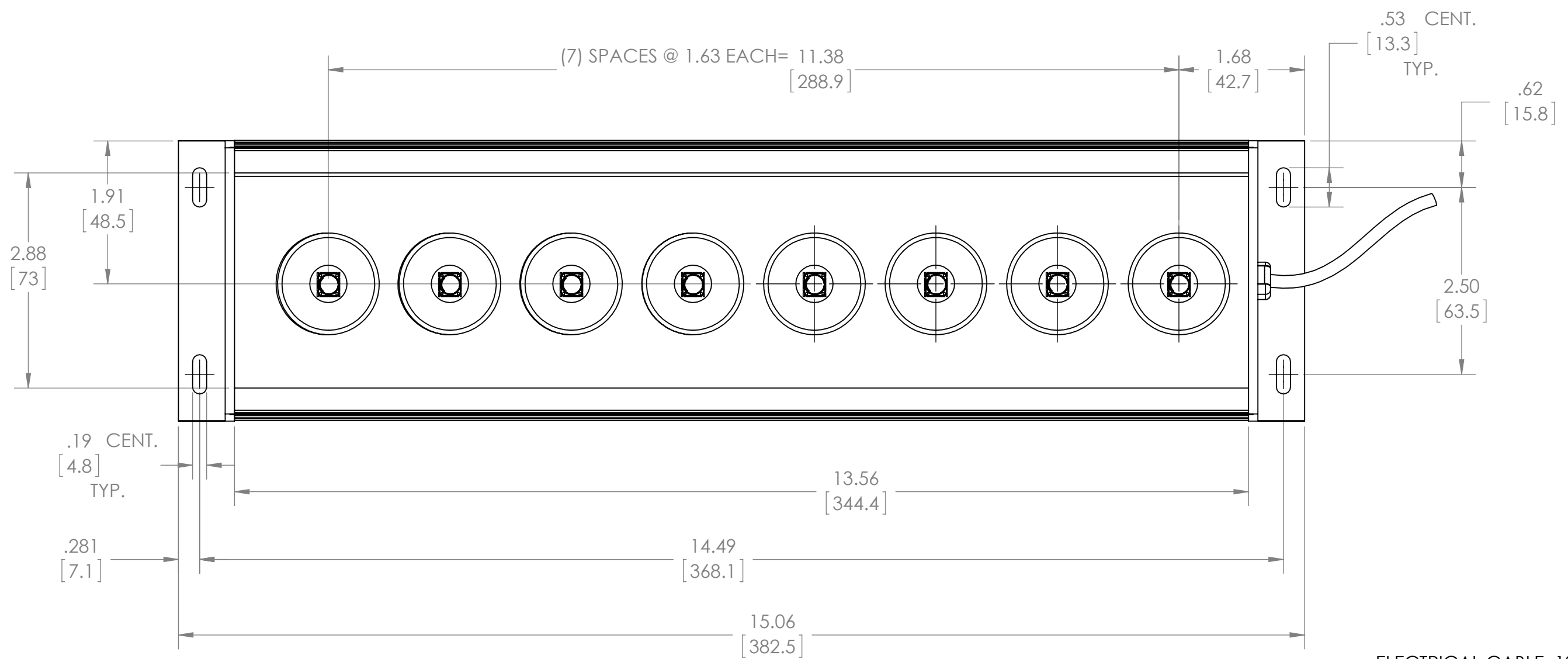


REVISIONS				
ZONE	REV.	DESCRIPTION	DATE	APPROVED



DETAIL F
SCALE 2 : 1.5

PROPRIETARY AND CONFIDENTIAL
THE INFORMATION CONTAINED IN THIS DRAWING IS THE SOLE PROPERTY OF <INSERT COMPANY NAME HERE>. ANY REPRODUCTION IN PART OR AS A WHOLE WITHOUT THE WRITTEN PERMISSION OF <INSERT COMPANY NAME HERE> IS PROHIBITED.

UNLESS OTHERWISE SPECIFIED:		NAME	DATE	METAPHASE TECHNOLOGIES, INC.	
DIMENSIONS ARE IN INCHES		DRAWN	KW		3/28/2012
TOLERANCES:		CHECKED			TITLE:
FRACTIONAL ±		ENG APPR.			FLOOD LIGHT, HIGH POWER
ANGULAR: MACH ± BEND ±		MFG APPR.			SIZE DWG. NO. REV
TWO PLACE DECIMAL ±		Q.A.		C FLD806	
THREE PLACE DECIMAL ±		COMMENTS:		SCALE: 1:2 WEIGHT: SHEET 1 OF 1	
INTERPRET GEOMETRIC TOLERANCING PER:	MATERIAL				
FINISH					
NEXT ASSY	USED ON				
APPLICATION	DO NOT SCALE DRAWING				