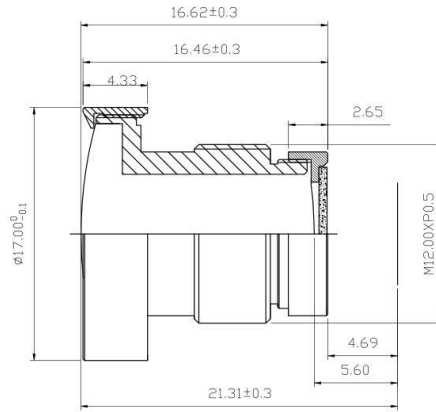




Vision Light Tech

creating optical solutions



EFL:	2.9mm		
F/NO:	F2.0		
TTL:	21.3mm		
Distortion:	<-14%		
Structure:	6E+IR		
BFL:	5.6mm		
FBL:	4.69mm		
Dimensions:	L	21.15mm	
	Φ	Φ17mm	
Thread Size:	M12*P0.5		
Sensor:	AR0330 (1/3")		
FOV:	H	V	D
	104	60	125
Pixel:	5MP		
Waterproof	No		
Model:	ACY1664E1		