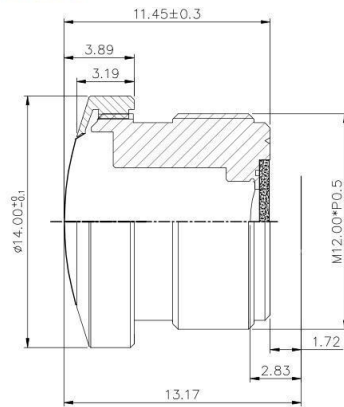




# Vision Light Tech

creating optical solutions



EFL:	1.7mm		
F/NO:	F2.4		
TTL:	13.17mm		
Distortion:	-18%		
Structure:	3G1P+IR		
BFL:	2.83mm		
FBL:	1.62mm		
Dimensions:	L	11.68mm	
	Φ	Φ14mm	
Thread Size:	M12*P0.5		
Sensor:	1/4"		
FOV:	H	V	D
	110	85	150
Pixel:	30W		
Waterproof	YES		
Model:	ACY5111C1E		