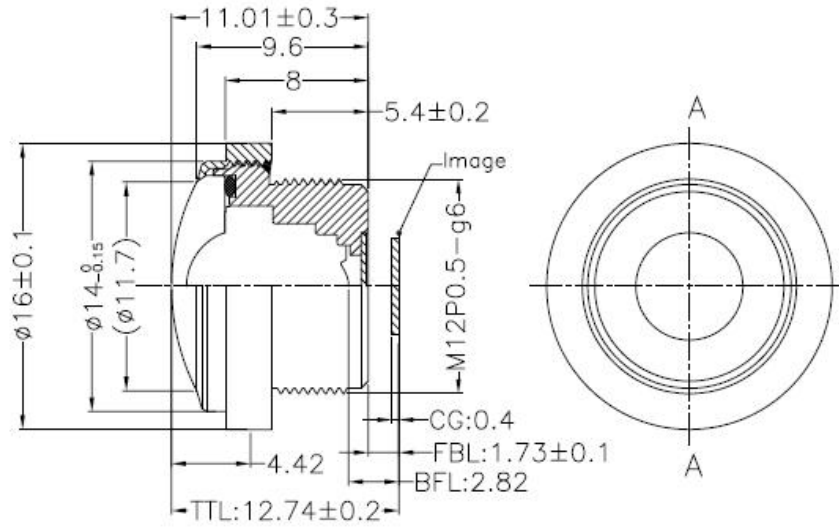




Vision Light Tech

creating optical solutions



SECTION:A-A

EFL:	0.955mm ± 5%		
F/NO:	F2.0 ± 5%		
TTL:	12.74 ± 0.2		
TV Distortion:	13%		
Structure:	1G4P+IR		
BFL:	2.82mm		
FBL:	1.73mm ± 0.1		
Thread Size:	M12*P0.5		
Sensor:	1/4"(ASX340)		
Chief Ray Angle	23°		
Relative illumination	61%		
FOV:	H	V	D
	192° ± 3°	142° ± 3°	210° ± 3°
Wavelength:	420-700nm		
Model:	ACY6019C1		