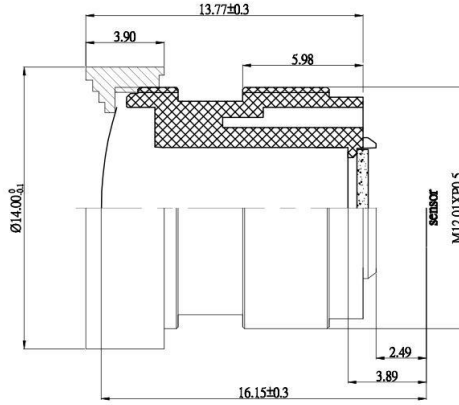




# Vision Light Tech

creating optical solutions



EFL:	2.7mm		
F/NO:	F2.7		
TTL:	16.15MM		
Distortion:	<-11%		
Structure:	4E+IR		
BFL:	3.89mm		
FBL:	2.59mm		
Dimensions:	L	16.91mm	
	Φ	Φ14mm	
Thread Size:	M12*P0.5		
Sensor:	1/4" & 1/3.2"		
FOV:	85&80	60&100	120&150
Pixel:	1.3MP		
Waterproof	No		
Model:	ACY1110PH1		