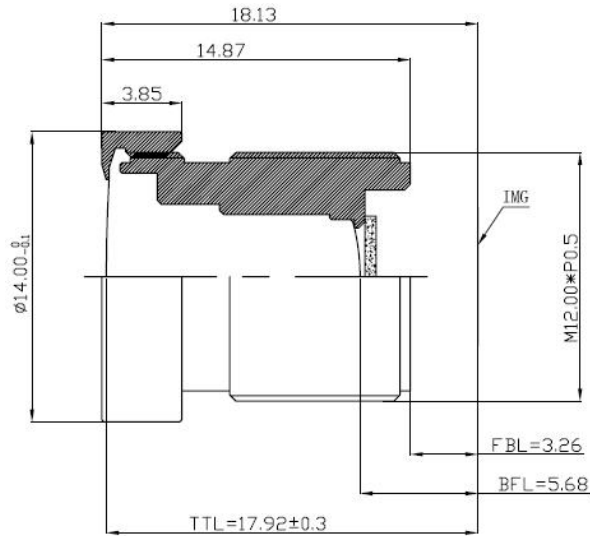




Vision Light Tech

creating optical solutions



EFL:	3.25mm		
F/NO:	F2.2		
TTL:	17.92mm ± 0.3		
TV Distortion:	-18%		
Structure:	4G+IR		
BFL:	5.68mm		
FBL:	3.26mm		
Thread Size:	M12*P0.5		
Sensor:	1/2.7"		
FOV:	H	V	D
	113°	54°	141°
Wavelength:	400-700		
Chief Ray Angle	18°		
Relative illumination	>50%		
Model:	ACY1699C1		