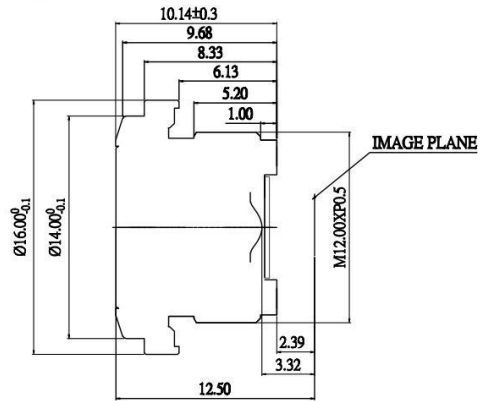




Vision Light Tech

creating optical solutions



EFL:	1.5mm		
F/NO:	F2.2		
TTL:	12.5mm		
Distortion:	-6%		
Structure:	4E+IR		
BFL:	3.32mm		
FBL:	2.39mm		
Dimensions:	L	10.72mm/1.27mm	
	Φ	Φ14mm	Φ16mm
Thread Size:	M12*P0.5		
Sensor:	1/4"		
FOV:	H	V	D
	98	80	125
Pixel:	30W		
Waterproof	YES IP67		
Model:	ACY5571PA1		