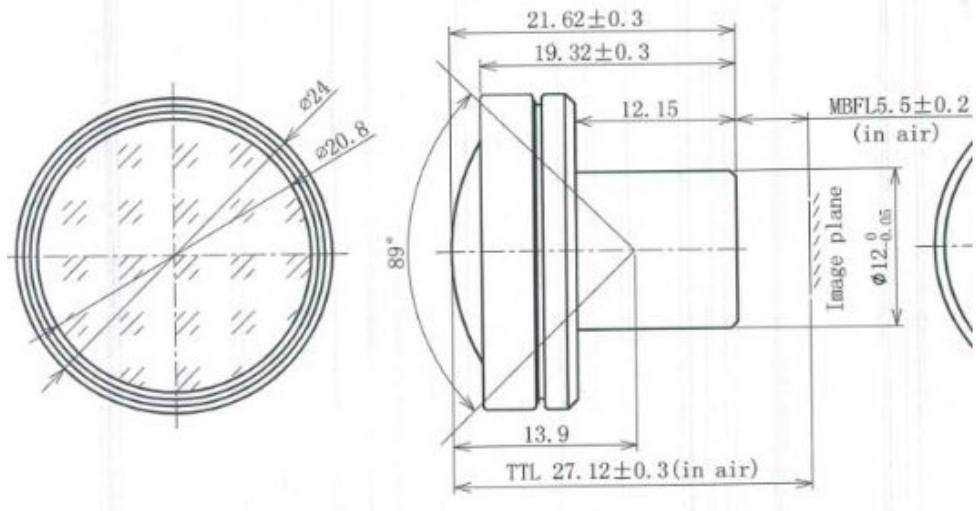




Vision Light Tech

creating optical solutions



SPECIFICATION

| | |
|------------------------|--|
| Focal Length: | 3.5mm |
| Back Focal Length : | 5.76mm |
| Mount: | M12 |
| Aperture (F) : | F1.8 |
| Resolution: | 2MP |
| Iris | Fixed |
| Image size : | 1/2.5" |
| Sensor : | CCD/CMOS |
| Image Format: | 5.76×4.29, 7.18 |
| (F.O.V.)(D/H/V): | 89°/78°/62° |
| Relative illumination: | >35% |
| CRA: | 9.3° |
| M.O.D: | 0.2m |
| Effective Aperture : | $\varnothing 20.8$ mm Front $\varnothing 7.1$ mm Rear |
| Distortion | -2.8% |
| Lens Construction | 8-7 |
| TTL: | 27.12mm |
| Dimension: | 24× 21.62mm |
| Model: | AC125B03518IRMM |
| PS: | 3.5mm 1/2.5 inch f1.8 low distortion board s mount lens for 3d scanner |

Vision Light Tech B.V.

Protonenlaan 22, 5405 NE UDEN, P.O. Box 345, 5400 AH UDEN, The Netherlands

Phone: +31 (0)413 26 00 67, Fax +31 (0)413 26 09 38, E-mail: inquiry@vlt.nl, Website: www.vlt.nl

Trade register No. 17150044, VAT No. NL8112.30.946.B01