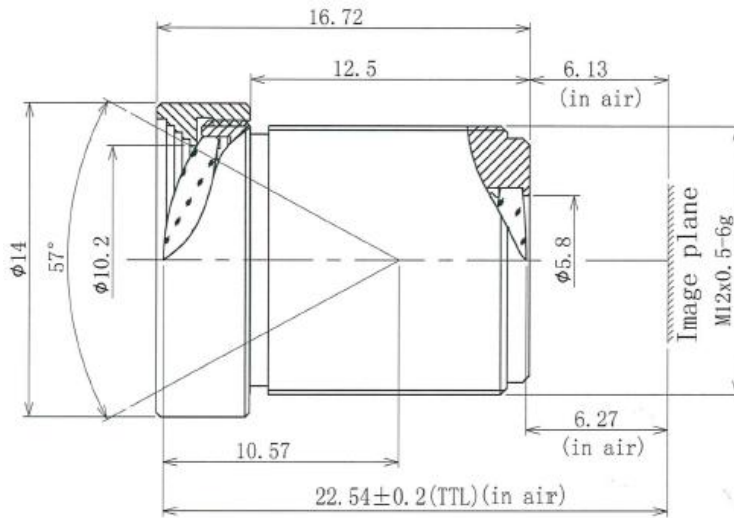




Vision Light Tech

creating optical solutions



Focal Length:		5.2mm
Aperture:		F4.5
Sensor:		1/3.2" CCD/CMOS
Mount:		M12 x0.5
Optical FOV(D/H/V):		57°/46.8°/35.7°
Back Focal Length:		6.27m (in air)
Image Format(HxV,D)		4.536x3.416,5.68
Lens Effective Diameter	Front	Φ10.2mm
	Back	Φ5.8mm
Relative Illumination:		>40%
Iris:		Fixed
Max Chief Ray Angle:		8°
M.O.D:		0.2m
TTL:		22.54mm(in air)
Resolution:		Mega Pixel
Dimension(ΦL×W):		Φ14×16.72mm
Lens Construction:		8-7
Optical Distortion:		-2.6%
Model:		ACN132B05245IRM12