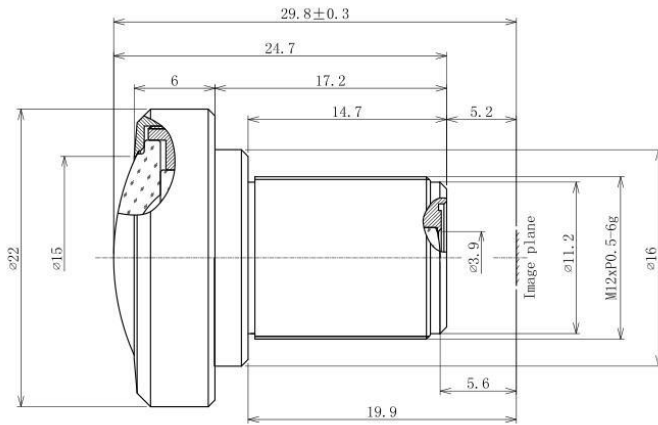




Vision Light Tech

creating optical solutions



Focal Length :	1.58mm	
Back Focal Length :	5.6mm	
Mount:	M12x0.5	
Aperture (F) :	F2.8	
Iris:	Fixed	
Image size :	1/2.5"	
Image circle :	Φ4.1mm	
(F.O.V.)(D/H/V):	180°/180°/180°	
Restortion:	Mega Pixel	
M.O.D:	0.1m	
F-Theta Distortion:	<-18.2%	
Effective Aperture :	Φ15mm	Front
	Φ3.9mm	Back
Max Chief Ray Angle :	9.6°	
Relative Illumination :	>70%	
Dimension:	Φ22x24.7mm	
Sensor Type:	CCD/CMOS	
OP Distortion:	-99.9%	
Model:	ACF125B0158IRM12	