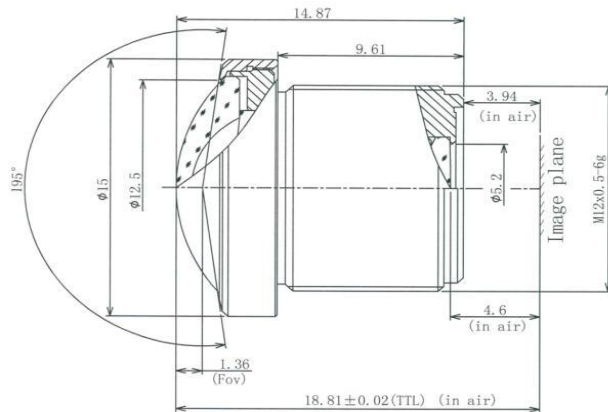




Vision Light Tech

creating optical solutions



EFL :	2.2mm	
Image Circle :	$\phi 6.2$ mm	
Image Format (HxV,D) :	5.38x3.04,6.2	
Back Focal Length :	4.6mm (in Air)	
Mount:	M12x0.5-6g	
FNo.F:	F2.3	
Iris:	Fixed	
Sensor :	OV4689 CCD/CMOS	
Resolution :	Mega Pixel	
F-theta Distortion :	-17%	
Relative illumination :	>70%	
TTL :	18.81mm (in Air)	
Dimension:	$\Phi 15 \times 14.87$ mm	
(F.O.V.)(D/H/V):	195°/155°/81° OV4689	
M.O.D:	0.1m	
Lens Effective Diameter :	$\phi 12.5$ mm	Front
	$\phi 5.2$ mm	Back
Max Chief Ray Angle :	15.9°	
Lens Construction:	6-5	
Model:	ACF129B2223WM12MM	