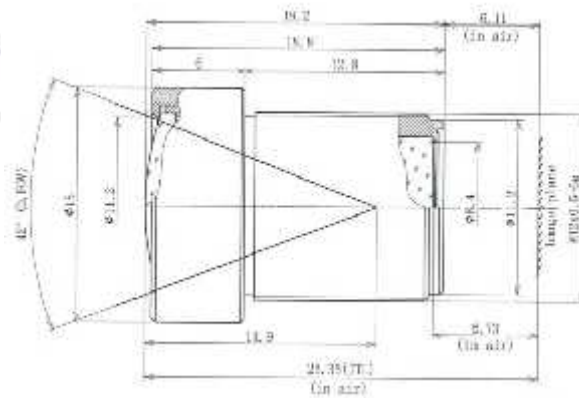


FAX:86- 571- 81069179

info@aico-lens.com



Focal Length	12mm
Sensor:	1/1.8" CCD/CMOS
Image Format (HxV,D):	7.176x5.319, 8.933
FNo.:	F1.8
Resolution:	10MP
Relative illumination:	>60%
Iris:	Fixed
Back Focal Length:	6.73mm (in air)
(F.O.V.)(D/H/V):	42°/33.6°/25.5°
Lens Effective Diameter:	Front 11.2mm
	Back 8.4mm
Lens construction:	7-5
Max Chief Ray Angle:	9.3°

Aico Electronics Limited

Room 1203, kairui Building, kejiguan Road, Binjiang, Hangzhou, China

TEL:86- 571- 86619019

FAX:86- 571- 81069179

info@aico-lens.com

TV Distortion:	-1%
M.O.D.:	0.3m
Mount:	M12 x0.5-6g
TTL:	25.35mm (in air)
Weight:	8g
Dimension:	15x19.2mm
Model:	ACM118B1218IRM12