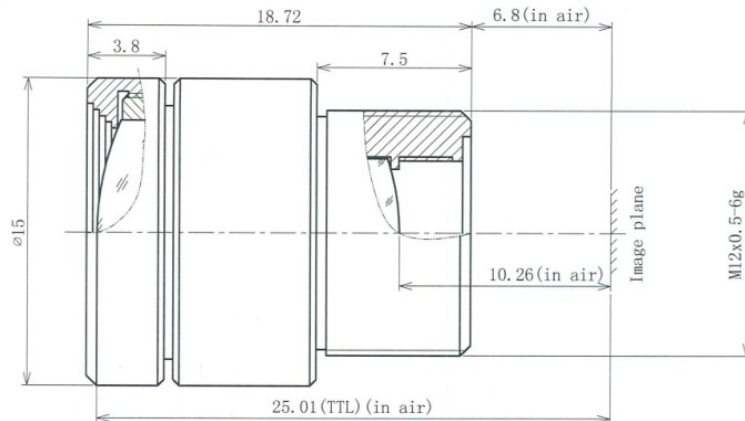




Vision Light Tech

creating optical solutions



SPECIFICATION

Focal Length :	25mm
Back Focal Length :	10.26mm
Mount:	M12 x0.5-6g
Aperture (F) :	F2.4 / F6.0
Iris: Fixed	
Image Size :	1/2"
Sensor :	CCD/CMOS
Image Circle:	$\Phi 8$ mm
Image Format(HxV,D):	6.4x4.8,8
Distortion:	3.3%
MTF:	4mp 180lp/mm
(F.O.V.)(D/H/V):	18°/14.3°/11° 1/2" 13.5°/10.9°/8.2° 1/3"
Max CRA:	14.9°
Relative illumination:	>60%
M.O.D:	0.5m
Effective Aperture :	$\Phi 10.2$ mm Front $\Phi 6.3$ mm Rear
Dimension	15x 18.72mm
TTL:	25.01mm
Lens Construction	5-3
Weight:	7.3g

Model: AC12B2524IRM12MM / AC12B2560IRM12MM