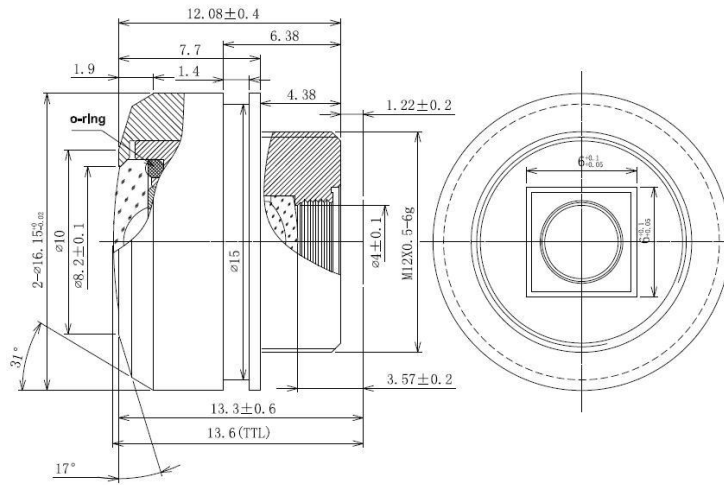




Vision Light Tech

creating optical solutions



Focal Length :	2.1mm	
Back Focal Length :	3.57mm	
Mount:	M12x0.5-6g	
Aperture (F) :	F2.2	
Max Chief Ray Angle	12.0°	
F-Theta Distortion:	-21.0%	
Relative illumination:	>50%	
Sensor Type :	1/4" CCD/CMOS	
(F.O.V.)(D/H/V):	155°/110°/78° ASX340AT	
	160°/121°/70° AR0140AT	
Image Circle:	Φ4.5mm ASX340AT	
	Φ4.6mm AR0140AT	
Resolution:	Mega Pixel	
M.O.D:	0.1m	
Lens Effective Diameter:	Φ8.2mm	Front
	Φ4.0mm	Rear
Iris:	Fixed	
Model:	AC14B02122IRM12R1MM	