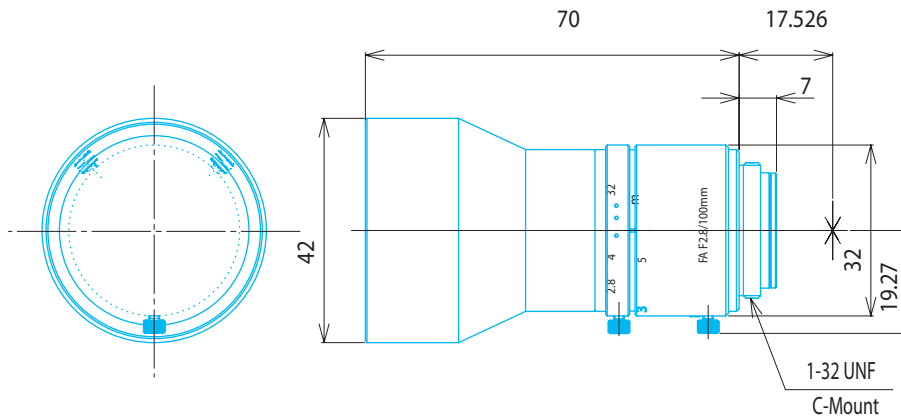




Manual Lenses

Item No. GMN310028MCN-1



| ITEM NO. | | GMN310028MCN-1 |
|----------------------------|------|--------------------|
| Focal Length | | 100 (mm) |
| Iris Range | | F2.8 - 16 |
| Angle of View (Hx V x D) | 1/2" | 3.7° x 2.8° x 4.6° |
| | 2/3" | 5.0° x 3.8° x 6.3° |
| MOD | | 2.0 (m) |
| Filter Thread | | M=40.5 , P=0.5 |
| Dimention (D x L) | | ϕ 42.0 x 70.0 (mm) |
| Weight | | 140 (g) |

GOYO OPTICAL Inc.

Japanese Office

3-8-31 HAMAZAKI,
ASAKA,
SAITAMA 351-0033,
JAPAN,
TEL:048-474-2235
FAX:048-474-7373
E-MAIL:info@goyooptical.com

German Office

KURHAUSSTR,3
ROOM N'19
D-55543 BAD KREUZNACH
GERMANY
TEL:0671-4822255
FAX:0671-43603
E-MAIL:info@goyooptical.com